

## GI 44 P Lawnmower

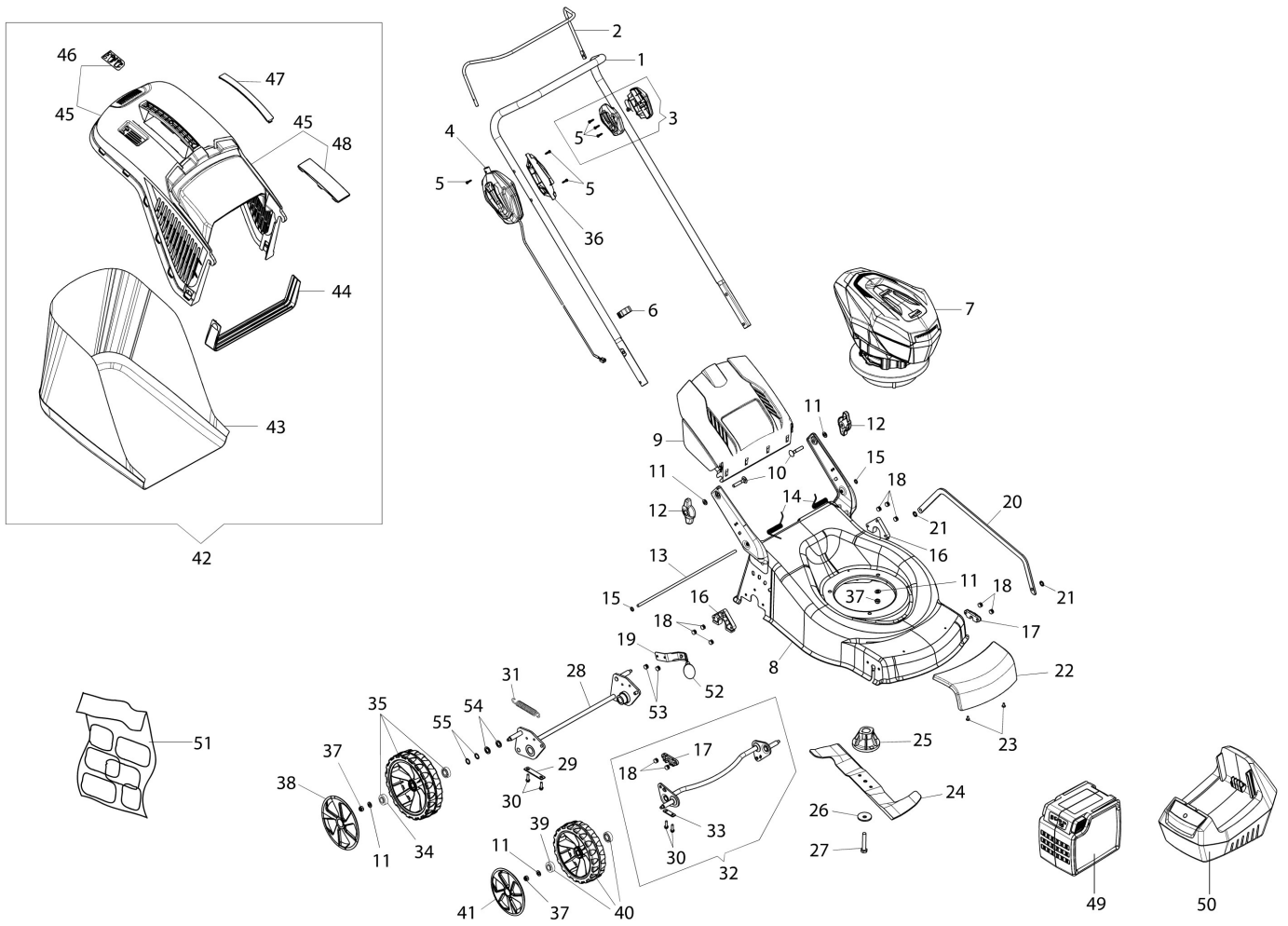


### Documents

[Complete illustrated parts list](#)

---

# Illustration Complete illustrated parts list



## Illustration Complete illustrated parts list

---

Ref.Nu	Qty	Part number	Description	Validity from	Validity till	Notes	Bulletin
1	1	54090034R	Complete handle				
2	1	54090013AR	Starter lever				
3	1	54090068	Schell set				
4	1	54092001AR	Starter assy				
5	6	3993016R	Screw				
6	1	66060231	Band				
7	1	54090030R	Electric motor				
8	1	66100257R	Deck				
9	1	54090050R	Shutter				
10	2	3910015R	Screw				
11	9	3916008R	Washer				
12	2	66070943R	Tightening handle				
13	1	66110026R	Deflector axle				
14	1	66110609A	Kit spring				
15	2	3045034R	Retainer washer				
16	2	66030049AR	Support				
17	2	66070709AR	Support				
18	10	3032015R	Rivet				
19	1	66070018	Lever				
20	1	66100035R	Rod				
21	2	3045035R	Retainer washer				
22	1	66070940R	Guard				
23	2	3960137R	Screw				
24	1	66100221R	Blade				
25	1	54090038R	Hub				
26	1	66060384R	Washer				
27	1	3906150R	Screw				
28	1	66070013C	Rear axle				
29	2	66030039	Plate				
30	8	3960031R	Screw				
31	1	66070036R	Spring				
32	1	66070748	Axle kit				
33	2	66070712R	Plate				
34	4	3035023R	Bearing				
35	2	66070722R	Wheel kit				
36	1	54090008R	Schell				
37	7	3914010R	Nut				
38	2	66070884R	Wheel cover				
39	4	66070497R	Bearing				
40	2	66070724R	Complete wheel				
41	2	66070848R	Wheel cover				
42	1	66070904	Grassbag kit				
43	1	66070875R	Grassbag				
44	1	66070133R	Support				
45	1	66072047R	Frame				
46	1	66070521R	Shutter				

## Illustration Complete illustrated parts list

---

Ref.Nu	Qty	Part number	Description	Validity from	Validity till	Notes	Bulletin
47	1	66070523R	Cover				
48	1	66070466R	Lock				
49	1	54030001	Battery			40V - 2,5AH	
49	1	54030002	Battery			40V - 5AH	
50	1	54030007	Battery charger				
51	1	54090066	Labels kit				
52	1	66110683	Handle				
53	2	3032018R	Rivet				
54	4	3916015R	Washer				
55	4	3027001R	Washer				