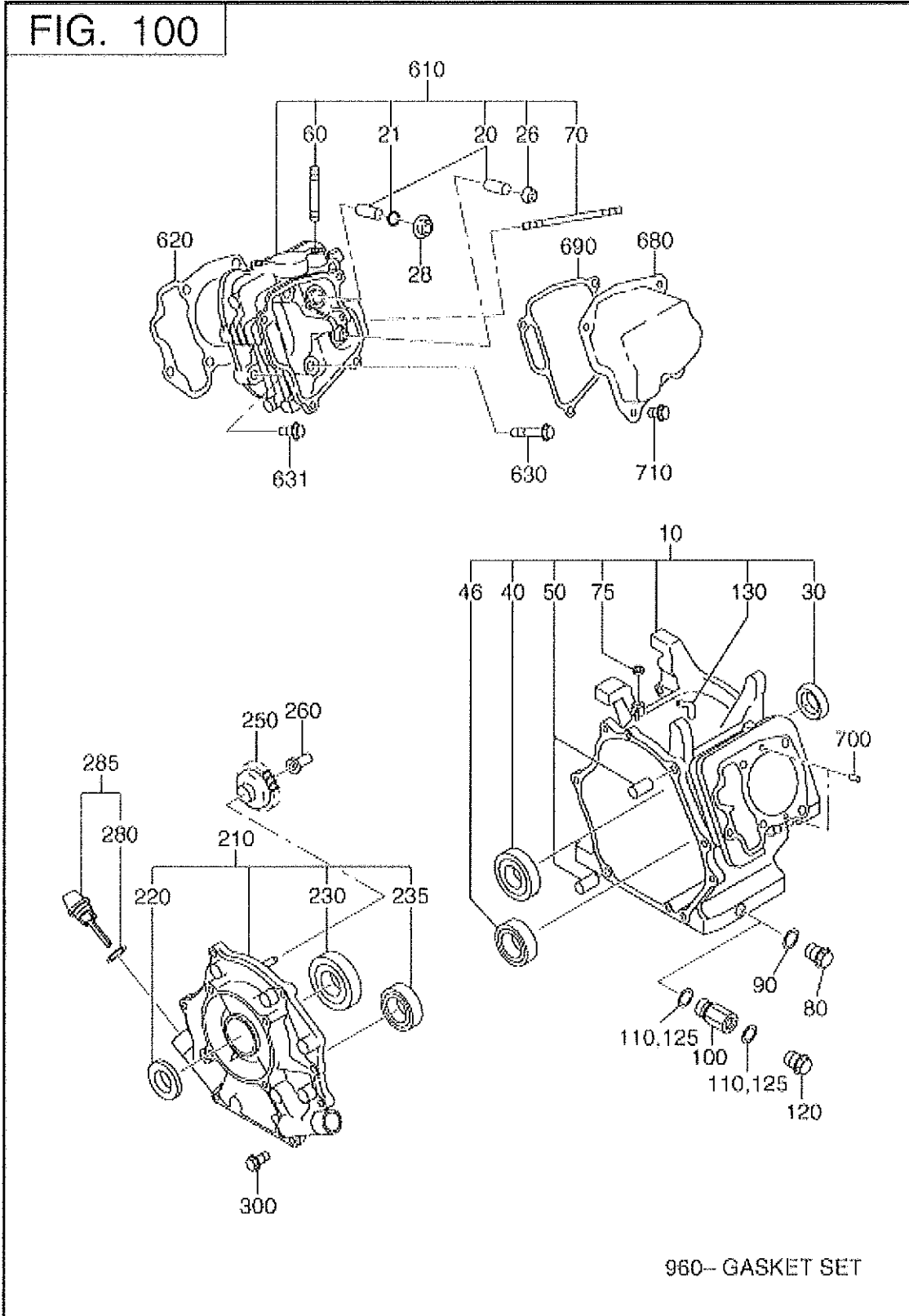


1 CRANK CASE



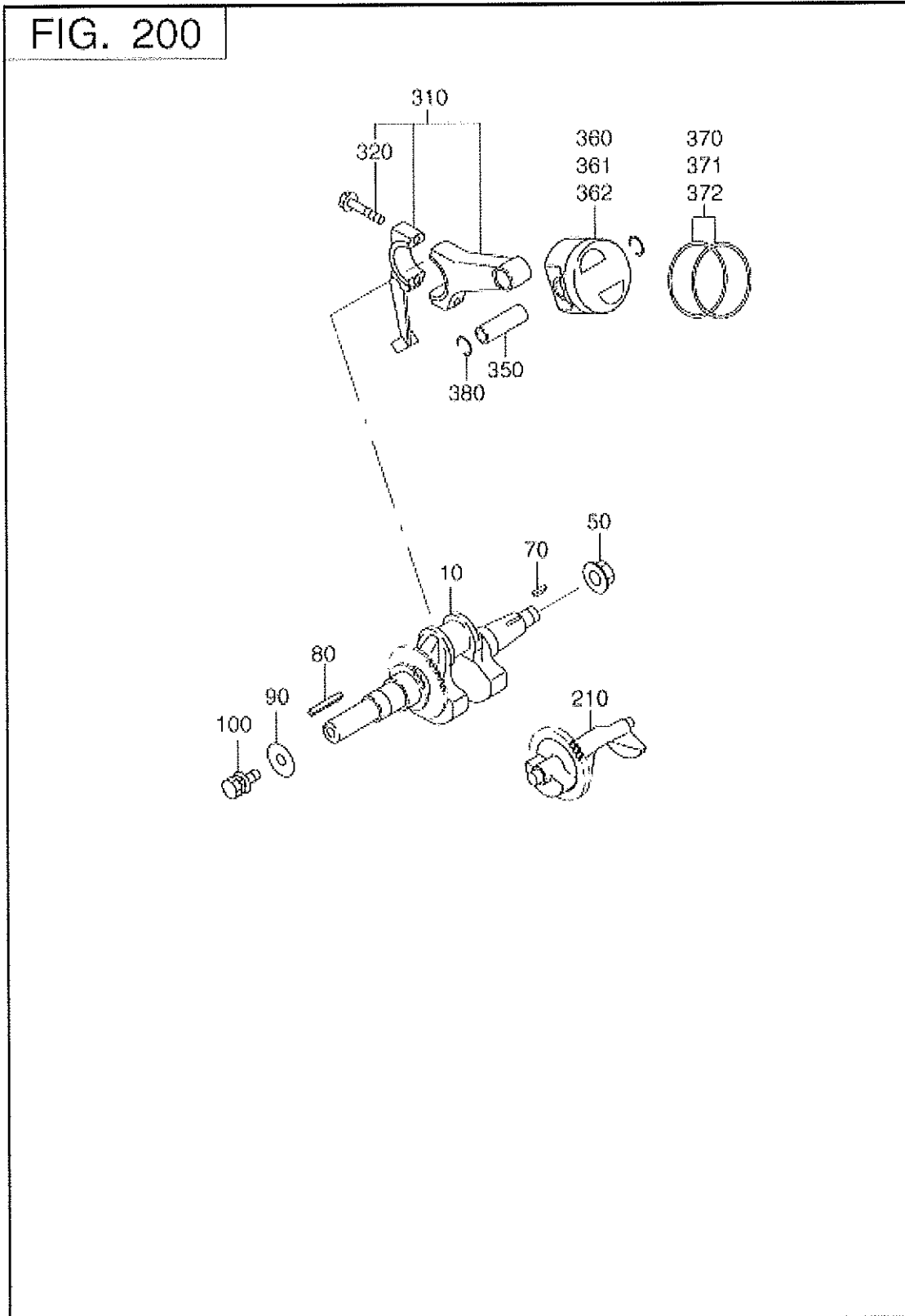
EX350D00030 FIG.100

REF.	PART NUMBER	PART NAME	CODE NO.	QTY	REMARKS	INTERCHANGE
10	20E-10101-11	CRANK CASE CP	8188-	1		
	20E-10101-01	CRANK CASE CP	-8187	1		
20	20B-14202-03	VALVE GUIDE	-	2		
21	056-51000-50	CLIP	-	1	10.7DX0.9D	
26	132-11AA1-10	SEAL-EXH VALVE	8157-	1		
	132-07AA0-50	SEAL-INT VALVE	-8156	1		
28	263-35341-03	RETAINER PLATE	-	1	11DX17.3DX27DX4.7H	
30	044-03500-90	OIL SEAL	-	1	35DX48DX8B	044-03500-91
40	060-03502-40	BALL BEARING	-	1		
46	X60-01500-11	BALL BEARING	-	1		
50	277-15011-03	PIPE KNOCK	-	2	10.3DX8.5DX14L	
60	010-50802-90	STUD	-	2	M8X1.25X30L	
70	010-50603-51	STUD	-	2	M6X1.0X98L	
75	044-00800-10	OIL SEAL	-	1	8DX14DX4B	
80	040-11400-30	PLUG	-	2	M14X1.5X20DX12L	
90	021-11400-20	GASKET	-	2	14.1DX19DX2.3T	
210	20B-11001-11	MAINBEARING COVER CP	-	1		
220	044-03500-90	OIL SEAL	-	1	35DX48DX8B	044-03500-91
230	060-03502-40	BALL BEARING	-	1		
235	X60-01500-11	BALL BEARING	-	1		
250	20B-45003-01	GOVERNOR GEAR CP	-	1		
260	277-41901-03	GOVERNOR SLEEVE	-	1		
280	021-32000-50	GASKET	-	2	20DX27DX1.5T RUBBER	
285	279-63601-30	OIL GAUGE AY	8157-	2		
	224-63601-01	OIL GAUGE CP	-8156	2	M22X1.5 L=64+25	
300	011-00803-40	FLANGE BOLT	-	8	M8X1.25X17DX38L	
610	20B-13001-00	CYLINDER HEAD AY	-	1		
620	20B-15001-03	GASKET(HEAD)	-	1		
630	011-01000-40	FLANGE BOLT	-	4	M10X1.25X19DX75L	
631	001-04083-50	FLANGE BOLT	-	2	M8X1.25X16DX35L	

EX350D00030 FIG.100

REF.	PART NUMBER	PART NAME	CODE NO.	QTY	REMARKS	INTERCHANGE
680	20B-15501-01	ROCKER COVER CP	-	1		
690	20B-16001-03	GASKET(ROCKER COVER)	-	1		
700	031-00600-10	DOWEL PIN	8157-	2	6DX14.8L	
	031-00600-20	DOWEL PIN	-8156	2	6DX14.5L	
710	011-00600-20	FLANGE BOLT	-	4	M6X1.0X14DX12L	
960	20B-99001-07	GASKET SET	-	1		

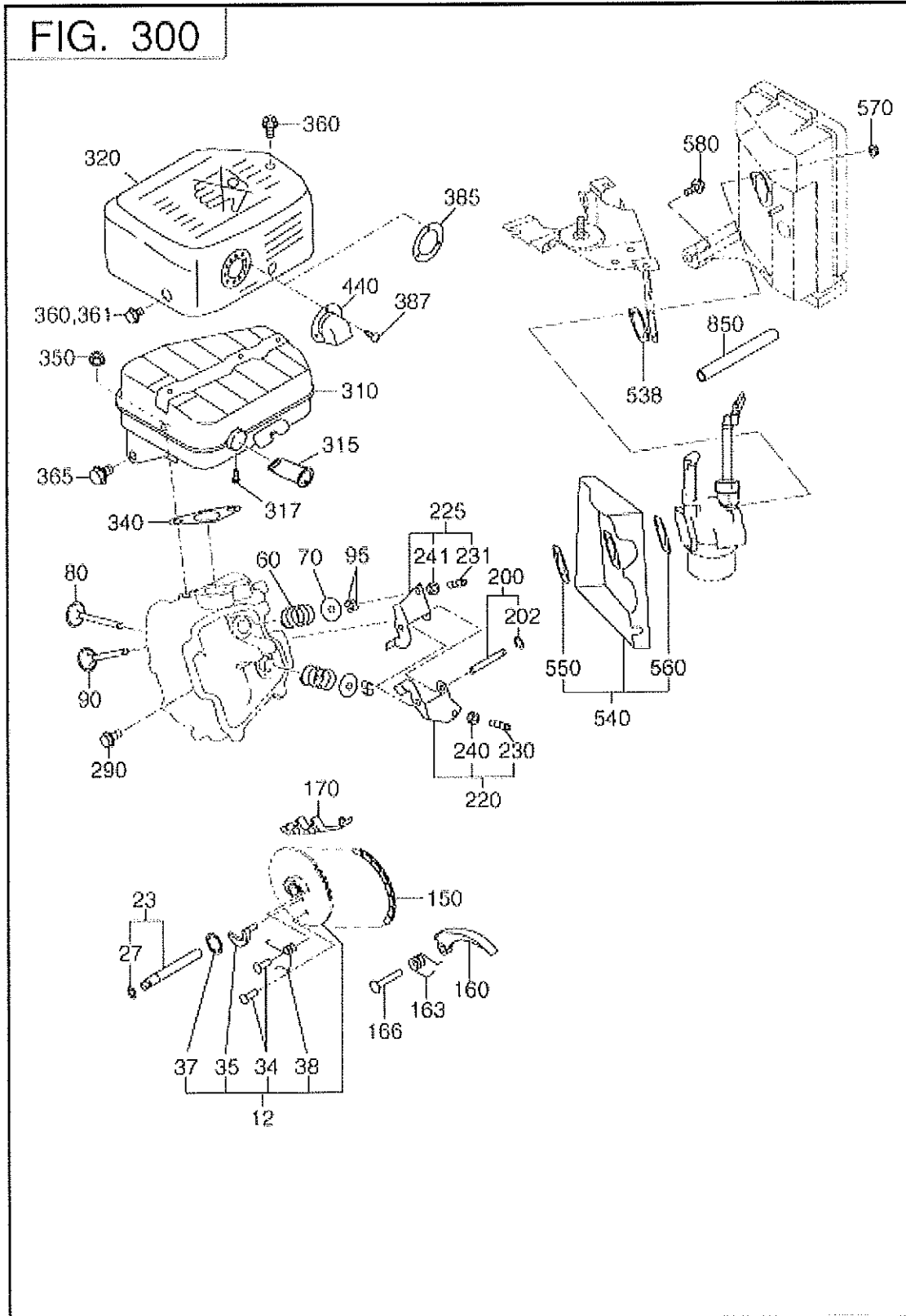
2 CRANKSHAFT,PISTON



EX350D00030 FIG.200

REF.	PART NUMBER	PART NAME	CODE NO.	QTY	REMARKS	INTERCHANGE
10	20B-20201-11	CRANK SHAFT CP	8218-	1		
	20B-20201-01	CRANK SHAFT CP	-8217	1		
50	018-01800-10	FLANGE NUT	-	1	M18X1.5X31DX14H	
70	005-32054-01	WOODRUFF KEY	-	1	5BX7.5HX19D	
80	005-30073-51	KEY	-	1	7BX7HX35L	
90	020-01002-20	WASHER	-	1		
100	001-13102-00	BOLT AND WASHER AY	-	1	M10X1.25X20L W/SW	
210	20B-24101-03	BALANCER SHAFT	-	1		
310	20B-22501-00	CONNECTING ROD AY	-	1		
320	001-05084-00	FLANGE BOLT	-	2	M8X1.25X16DX40L	
350	263-23301-33	PISTON PIN	-	1	21DX15DX64.2L	
360	20B-23401-H3	PISTON	-	1	STD	
361	20B-23403-H3	PISTON	-	1	0.25 O.S.	
362	20B-23404-H3	PISTON	-	1	0.50 O.S.	
370	20B-23501-07	PISTON RING SET	-	1	STD	
371	20B-23502-07	PISTON RING SET	-	1	0.25 O.S.	
372	20B-23503-07	PISTON RING SET	-	1	0.50 O.S.	
380	056-52100-20	CLIP	-	2	22.1DX1.4D	

3 INTAKE,EXHAUST



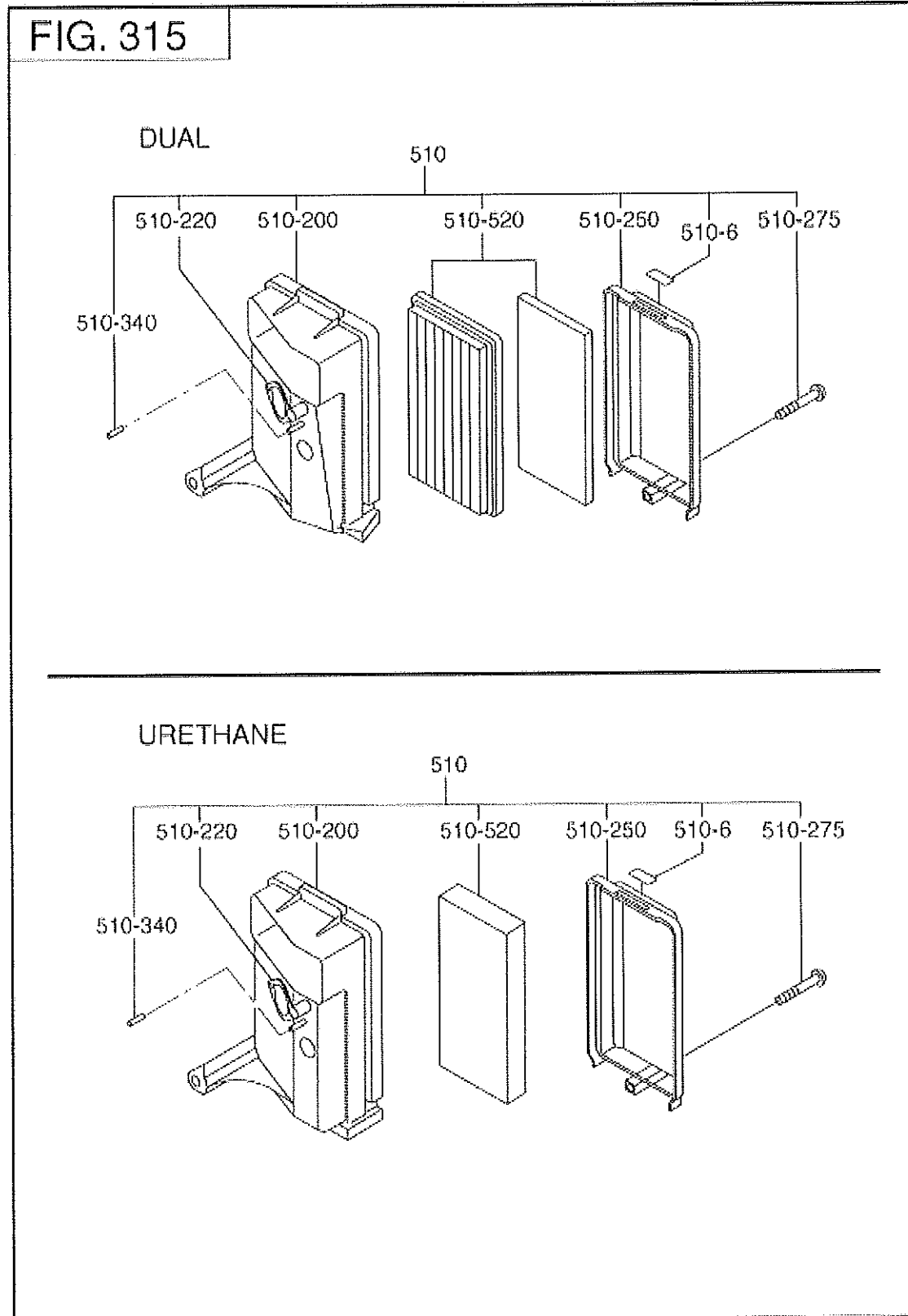
EX350D00030 FIG.300

REF.	PART NUMBER	PART NAME	CODE NO.	QTY	REMARKS	INTERCHANGE
12	20B-31601-00	CAMSHAFT AY	-	1		
23	20B-35101-11	PIN(CAM SHAFT)CP	-	1		
27	024-00700-20	O-RING	-	1		
34	005-19041-00	SPRING PIN	-	2	4.4DX10LX0.8T	
35	277-36401-03	RELEASE LEVER	-	1		
37	20B-36501-03	CLIP	-	1		
38	277-38702-03	RETURN SPRING	-	1	5.1DX0.6DX4.4L N=7	
60	246-33611-03	VALVE SPRING	-	2	22.2DX2.9DX37L N=6.5	
70	246-33711-13	SPRING RETAINER	-	2	7.6DX26DX8T	
80	20B-33401-H3	INTAKE VALVE	-	1		
90	20B-33501-H3	EXHAUST VALVE	-	1		
95	246-35501-03	COLLET-VALVE	-	4		
150	20B-35601-H1	TIMING CHAIN CP	-	1		
160	277-36911-03	TENTIONER	-	1		
163	277-37101-03	SPRING(TENTIONER)	-	1	10DX1.8DX14L N=4.5	
166	277-36902-03	PIN(TENTIONER)	-	1	6DX13DX34L	
170	277-36913-13	CHAIN GUIDE	-	1		
200	20B-35001-01	PIN(ROCKER)CP	-	1		
202	003-13060-00	CLIP	-	1	6DX12DX0.8T	
220	20B-36101-00	ROCKER ARM(IN) AY	-	1		
225	20B-36102-10	ROCKER ARM(EX) AY	7823-	1		
	20B-36102-00	ROCKER ARM(EX) AY	-7822	1		
230	014-90500-20	ADJUST SCREW	-	1	M5X0.5X23L	
231	014-90500-20	ADJUST SCREW	-	1	M5X0.5X23L	
240	017-00500-30	NUT	-	1	M5X0.5X4.1H	
241	017-00500-30	NUT	-	1	M5X0.5X4.1H	
290	011-00600-10	FLANGE BOLT	8157-	1	M6X1.0X14DX8L	
	011-00600-20	FLANGE BOLT	-8156	1	M6X1.0X14DX12L	
310	20B-30101-J2	MUFFLER UN	-	1		
320	20B-34201-11	MUFFLER COVER CP	-	1		

EX350D00030 FIG.300

REF.	PART NUMBER	PART NAME	CODE NO.	QTY	REMARKS	INTERCHANGE
340	20B-35201-03	GASKET(MUFFLER)	-	1		
350	002-38080-00	FLANGE NUT	8310-	2	M8X1.25X17DX7.5H	
	980-20082-80	FLANGE NUT	-8309	2	M8X1.25X17DX7.5H	
360	011-00600-10	FLANGE BOLT	-	5	M6X1.0X14DX8L	
365	011-00803-20	FLANGE BOLT	-	1	M8X1.25X16DX12L	
387	015-00400-60	TAPPING SCREW	-	3	M4X6L	
440	20B-37001-11	DEFLECTOR CP	7915-	1		
	20B-37001-01	DEFLECTOR CP	-7914	1		
538	20B-35903-03	GASKET 3	-	1		
540	20B-32901-J1	INSULATOR CP	-	1		
550	20B-35902-H3	GASKET 2	-	1		
560	20B-35901-H3	GASKET 1	-	1		
570	002-38060-00	FLANGE NUT	-	2	M6X1.0X13DX6H	
580	001-04061-60	FLANGE BOLT	-	1	M6X1.0X13DX16L	
850	X85-11001-80	RUBBER PIPE	-	1		

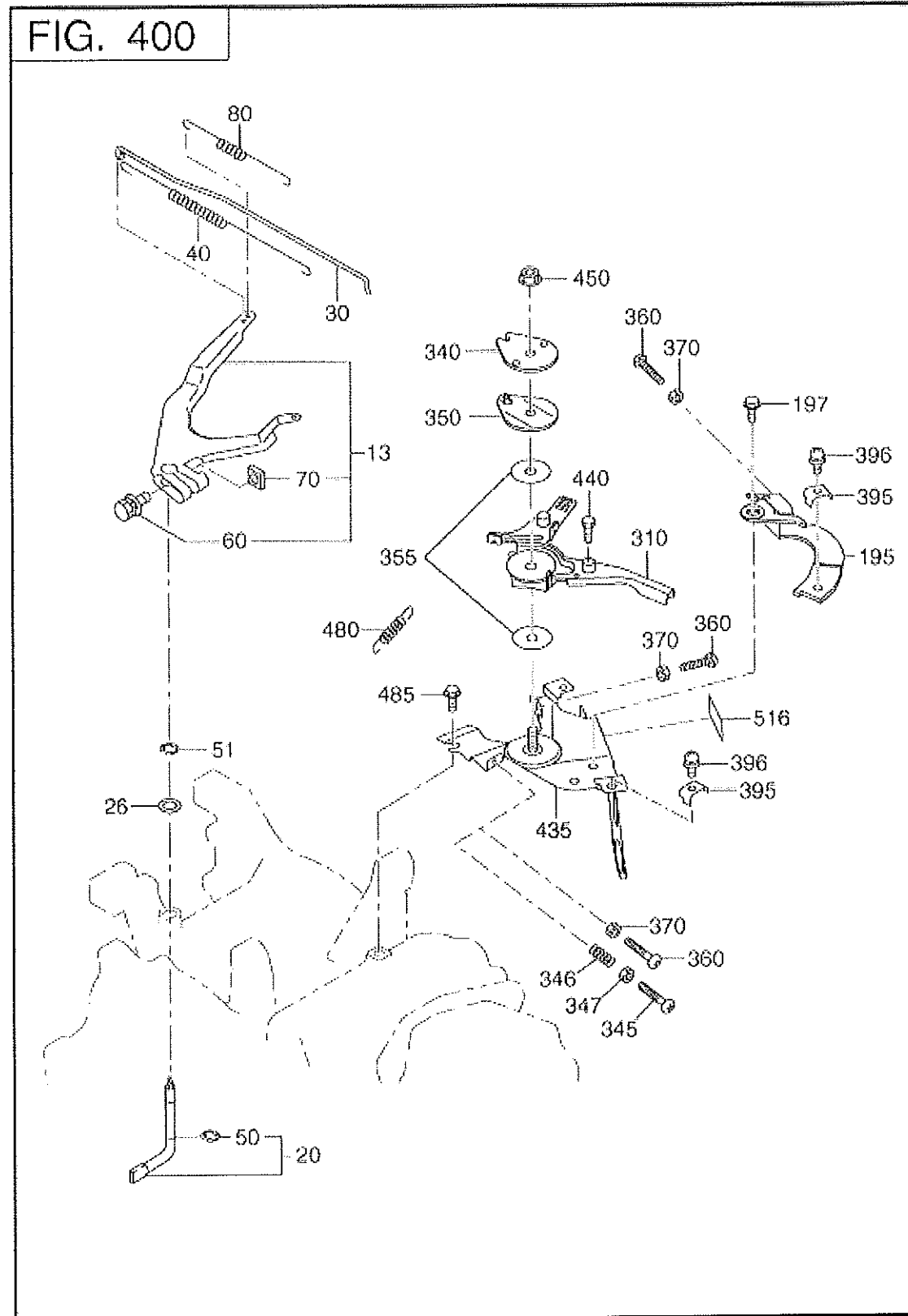
3 INTAKE,EXHAUST



EX350D00030 FIG.315

REF.	PART NUMBER	PART NAME	CODE NO.	QTY	REMARKS	INTERCHANGE
510	20B-32611-H0	AIR CLEANER AY	-	1		
- 6	20B-32660-H8	CHOKE LABEL	-	1		073-20044-30
-200	20B-32630-H8	BODY CP	-	1		
-220	20B-32720-H8	PACKING	-	1		
-250	20B-32640-H8	COVER	-	1		
-275	20B-32650-H8	BOLT	-	1		
-340	20B-32850-H8	CAP	-	1		
-520	20B-32610-H7	ELEMENT AY	-	1		

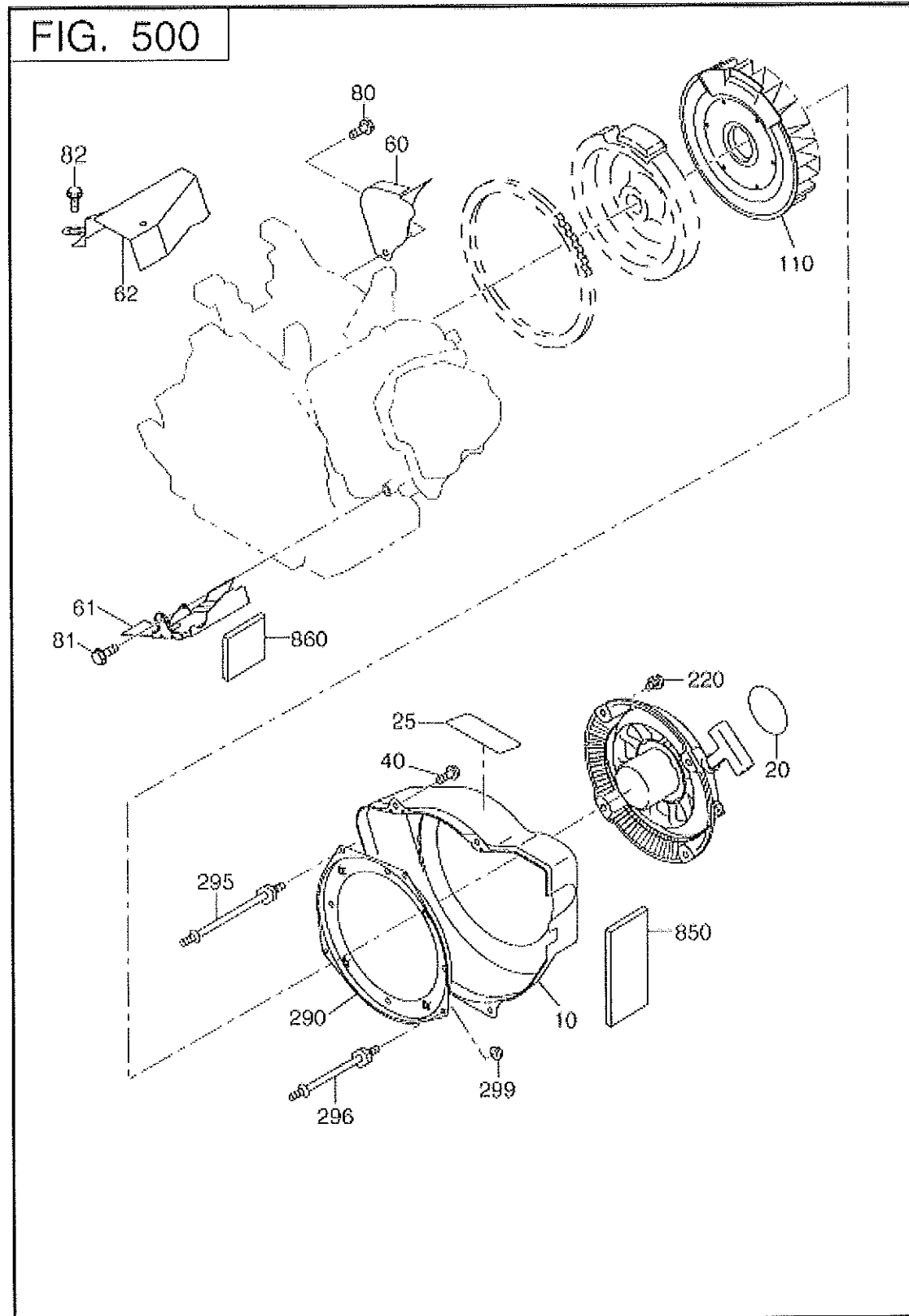
4 GOVERNOR OPERATION



EX350D00030 FIG.400

REF.	PART NUMBER	PART NAME	CODE NO.	QTY	REMARKS	INTERCHANGE
13	20B-42301-00	GOVERNOR LEVER AY	-	1		
20	20B-42201-01	GOVERNOR SHAFT CP	-	1		
26	003-11080-00	WASHER	-	1	8.5DX18DX1.6T	
30	20B-42701-01	GOVERNOR ROD CP	-	1		
40	20B-42801-13	ROD SPRING	-	1		
50	003-13060-00	CLIP	-	1	6DX12DX0.8T	
51	003-13060-00	CLIP	-	1	6DX12DX0.8T	
60	001-14062-50	BOLT AND WASHER AY	-	1	M6X1.0X25L W/W,SW	
70	018-60600-20	NUT	-	1	M6X1.0X4.9H SQUARE	
80	20B-42501-13	GOVERNOR SPRING	-	1		
310	20B-43301-01	SPEED CONT. LEVER CP	-	1		
340	227-43501-13	STOP PLATE	-	1		
345	004-31040-80	SCREW	8157-	1	M4X0.7X8L	
	011-60400-30	BOLT	-8156	1	M4X0.7X8L	
350	227-45002-03	SPRING WASHER	-	1		
355	021-70600-30	FRICTION WASHER	-	2	6.5DX33DX0.6T FIBER	
360	004-31061-80	SCREW	-	1	M6X1.0X18L	
370	002-27060-00	NUT	-	1	M6X1.0X3.6H	
395	277-43902-03	CLAMP	-	1		
396	013-10500-30	SCREW AND WASHER AY	-	1	M5X0.8X20L W/W,SW	
435	20B-46001-21	SPEED CONTROL BKT CP	7945-	1		
	20B-46001-11	SPEED CONTROL BKT CP	-7944	1		
450	002-35060-00	SELF LOCK NUT	-	1	M6X1.0X6.8H	
480	267-45101-03	RETURN SPRING	-8316	1	7DX0.7DX28L N=15	
	277-45103-03	RETURN SPRING	8317-	1	7DX0.7DX28L N=15	
485	011-00600-20	FLANGE BOLT	-	1	M6X1.0X14DX12L	
516	277-96107-03	LABEL(HI-LOW)	-	1		

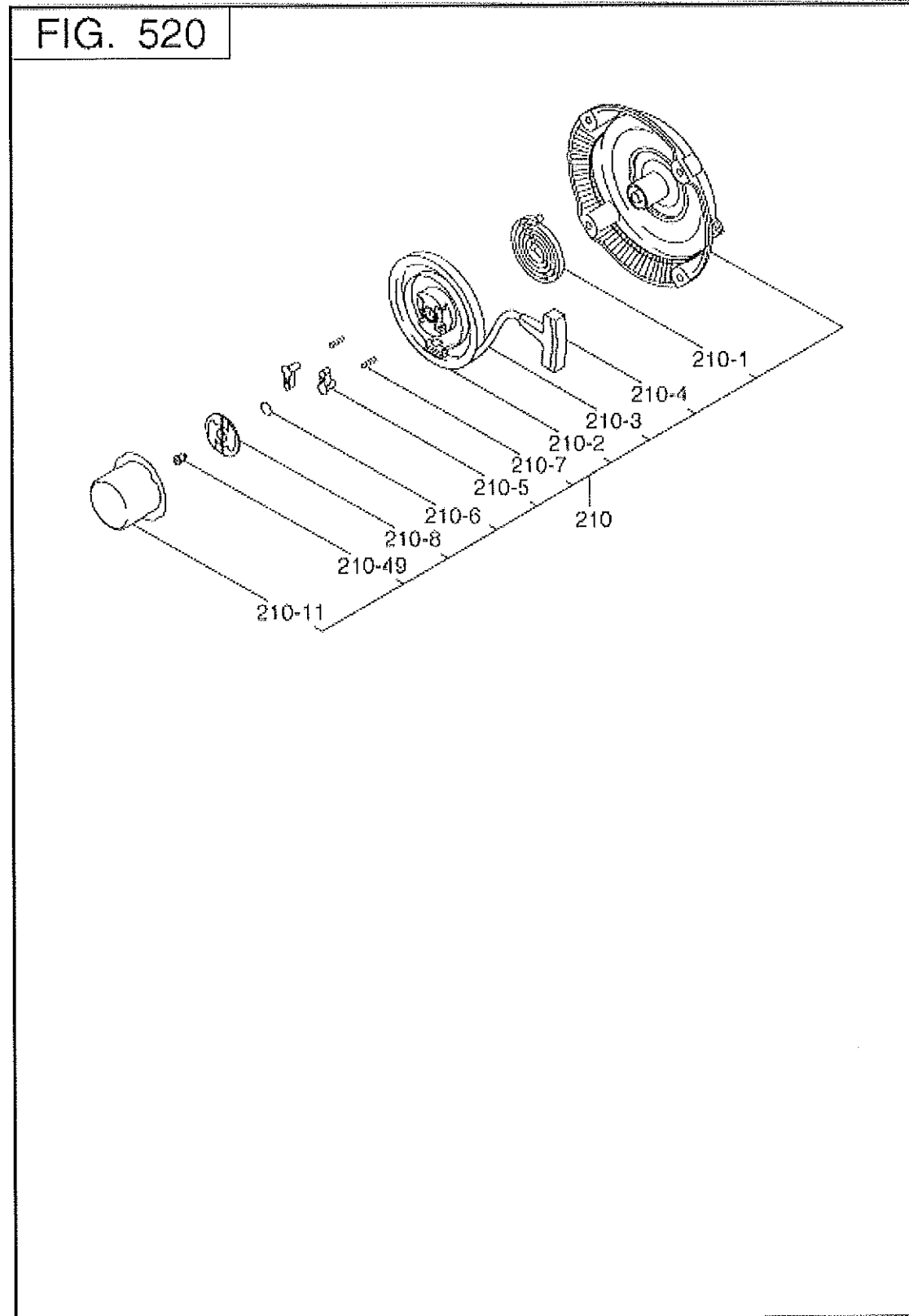
5 COOLING,STARTING



EX350D00030 FIG.500

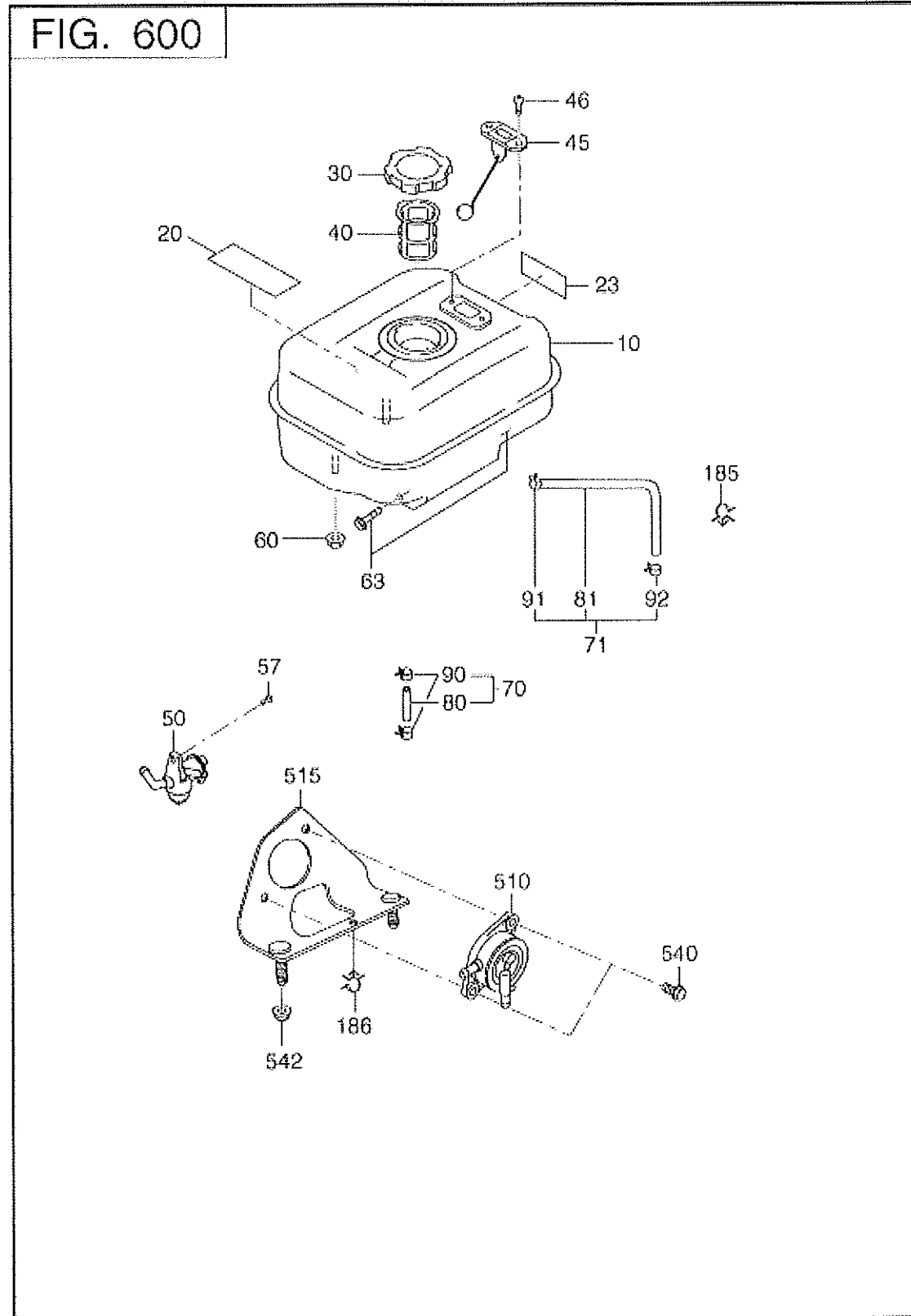
REF.	PART NUMBER	PART NAME	CODE NO.	QTY.	REMARKS	INTERCHANGE
10	20B-51201-H1	BLOWER HOUSING CP	-	1		
20	073-20054-70	LABEL(TRADE MARK)	-	1	60D	
40	001-04061-60	FLANGE BOLT	-	5	M6X1.0X13DX16L	
60	279-52711-11	BAFFLE 1(CASE) CP	-	1		
61	20B-52702-H1	BAFFLE 2(HEAD) CP	-	1		
80	001-65081-20	BOLT	-	1	M8X1.25X12L	
81	011-00600-20	FLANGE BOLT	-	3	M6X1.0X14DX12L	
110	20B-54101-H3	COOLING BLOWER	-	1		
220	013-00602-81	BOLT AND WASHER AY	-	4	M6X1.0X14L W/SW	
290	20B-55101-02	RECOIL BRACKET UN	-	1		
295	010-00804-40	BOLT	8188-	1		
	010-00804-40	BOLT	-8187	2		
296	010-00804-50	BOLT	-	2		
299	002-38060-00	FLANGE NUT	8188-	3	M6X1.0X13DX6H	
	002-38060-00	FLANGE NUT	-8187	4	M6X1.0X13DX6H	

5 COOLING STARTING



REF.	PART NUMBER	PART NAME	CODE NO.	QTY.	REMARKS	INTERCHANGE
210	20B-50301-00	RECOIL STARTER AY	-8254	1		
	20B-50301-10	RECOIL STARTER AY	8255-	1		
- 1	277-50155-08	SPIRAL SPRING	8255-	1		
	277-50155-08	SPIRAL SPRING	-8254	1		
- 2	20B-50120-08	REEL	8255-	1		
	20B-50120-08	REEL	-8254	1		
- 3	20B-50110-08	STARTER ROPE	8255-	1		
	20B-50110-08	STARTER ROPE	-8254	1		
- 4	261-50100-18	STARTER KNOB	8255-	1		
	261-50100-08	STARTER KNOB	-8254	1		
- 5	161-50125-08	RATCHET	8255-	2		
	161-50125-08	RATCHET	-8254	2		
- 6	227-50131-08	FRICTION SPRING	8255-	1		
	227-50131-08	FRICTION SPRING	-8254	1		
- 7	227-50135-08	RETURN SPRING	8255-	2		
	227-50135-08	RETURN SPRING	-8254	2		
- 8	161-50150-08	RATCHET GUIDE	8255-	1		
	161-50150-08	RATCHET GUIDE	-8254	1		
- 11	20B-50145-08	STARTER PULLEY	-8254	1		
	20B-50145-08	STARTER PULLEY	8255-	1		
- 49	20B-50101-08	SET SCREW	8255-	1		
	20B-50101-08	SET SCREW	-8254	1		

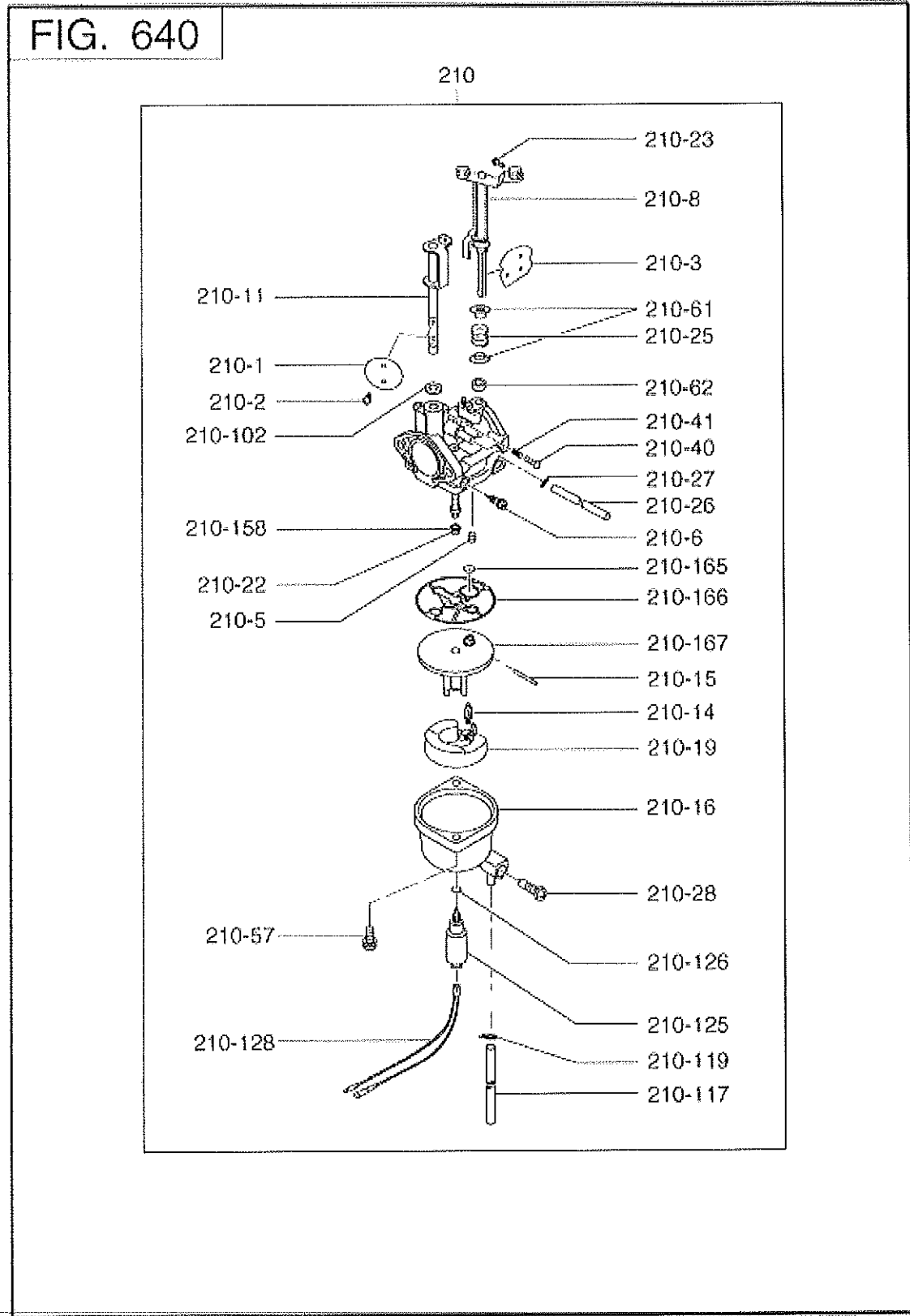
6 FUEL LUBRICANT



EX350D00030 FIG.600

REF.	PART NUMBER	PART NAME	CODE NO.	QTY	REMARKS	INTERCHANGE
10	20B-60202-01	FUEL TANK CP	-	1		
20	073-20049-80	LABEL(CAUTION)	-	1	38X80 JAPAN	
23	20E-95101-03	LABEL(MODEL)	-	1		
30	043-04300-60	FUEL TANK CAP CP	-	1	43DX63.8DX18H BLACK	
40	X64-13600-10	FUEL FILTER	-	1		
45	064-80007-00	FUEL GAUGE CP	-	1		
46	014-50500-40	SCREW(COUNTER HEAD)	-	2	M5X0.8X10L	
50	X64-20122-00	FUEL STRAINER AY	-	1		
57	011-00600-10	FLANGE BOLT	8157-	1	M6X1.0X14DX8L	
	011-00600-20	FLANGE BOLT	-8156	1	M6X1.0X14DX12L	
60	002-38080-00	FLANGE NUT	-	2	M8X1.25X17DX7.5H	
63	011-00802-50	FLANGE BOLT	-	2	M8X1.25X16DX25L	
70	20B-62601-01	FUEL PIPE CP	-	1		
71	267-62604-11	FUEL PIPE CP	-	1	6.35DX12.7DX250L	
80	085-10620-90	RUBBER PIPE	-	1		
81	X85-10614-91	RUBBER PIPE	-	1	6.4DX12.7DX250L	X85-10610-07
90	056-11000-30	HOSE CLAMP	-	2	10DX8BX1T	
91	056-11200-40	HOSE CLAMP	-	1	12DX8BX0.8T	
92	X56-11100-60	HOSE CLAMP	-	1	11.5DX8BX0.7T	
185	056-81200-10	CLAMP	-	1		

6 FUEL LUBRICANT

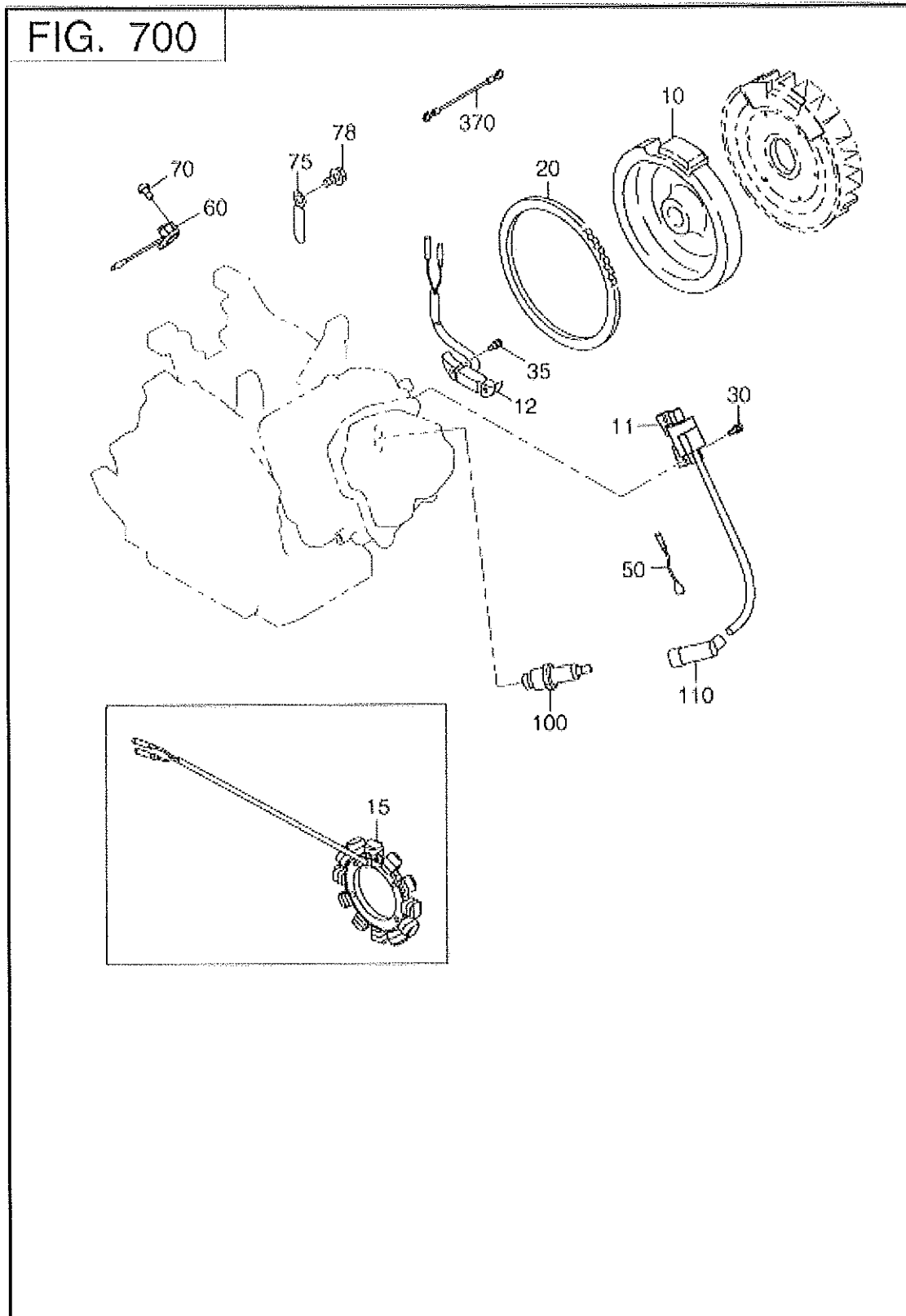


EX350D00030 FIG.640

REF.	PART NUMBER	PART NAME	CODE NO.	QTY	REMARKS	INTERCHANGE
210	20E-62301-10	CARBURETOR AY	8157-	1		
	20E-62301-00	CARBURETOR AY	-8156	1		
- 1	20B-62535-08	VALVE,THROTTLE	8157-	1		
	20B-62535-08	VALVE,THROTTLE	-8156	1		
- 2	261-62352-08	SCREW,VALVE SET	8157-	2		
	261-62352-08	SCREW,VALVE SET	-8156	2		
- 3	20B-62526-08	VALVE,CHOKE	-8156	1		
	20B-62526-08	VALVE,CHOKE	8157-	1		
- 5	20B-62421-08	JET,SLOW	8157-	1	#44	
	20B-62421-08	JET,SLOW	-8156	1	#44	
- 6	20B-62357-08	NEEDLE CP,IDLEADJUST	8157-	1		
	20B-62357-08	NEEDLE CP,IDLEADJUST	-8156	1		
- 8	20B-62527-18	SHAFT,CHOKE	8157-	1		
	20B-62527-08	SHAFT,CHOKE	-8156	1		
- 11	20B-62530-08	SHAFT AY,THROTTLE	8157-	1		
	20B-62530-08	SHAFT AY,THROTTLE	-8156	1		
- 14	20B-62500-08	VALVE AY FLOAT	8157-	1		
	20B-62500-08	VALVE AY FLOAT	-8156	1		
- 15	263-62515-08	PIN,FLOAT	8157-	1		
	263-62515-08	PIN,FLOAT	-8156	1		
- 16	20B-62550-08	CHAMBER CP,FLOAT	-8156	1		
	20B-62550-08	CHAMBER CP,FLOAT	8157-	1		
- 19	20B-62505-08	FLOAT AY	8157-	1		
	20B-62505-08	FLOAT AY	-8156	1		
- 22	20B-62436-08	JET,MAIN (#107)	8157-	1		
	20B-62436-08	JET,MAIN (#107)	-8156	1		
- 28	20B-62354-08	SCREW,DRAIN	8157-	1		
	20B-62354-08	SCREW,DRAIN	-8156	1		
- 40	20B-62353-08	SCREW,THRO.ADJUST	8157-	1		
	20B-62353-08	SCREW,THRO.ADJUST	-8156	1		

REF.	PART NUMBER	PART NAME	CODE NO.	QTY	REMARKS	INTERCHANGE
- 41	20B-62445-08	SPRING,THRO.ADJUST	-8156	1		
	20B-62445-08	SPRING,THRO.ADJUST	8157-	1		
- 57	20B-62453-08	SCREW	-8156	2		
	20B-62453-08	SCREW	8157-	2		
- 62	258-62554-08	FILTER(CHOKE SHAFT)	-8156	1		
	258-62554-08	FILTER(CHOKE SHAFT)	8157-	1		
-102	226-62580-08	FILTER,AIR	-8156	1		
	226-62580-08	FILTER,AIR	8157-	1		
-158	20B-62542-08	O RING	8157-	1		
	20B-62542-08	O RING	-8156	1		
-165	20B-62541-08	O RING	8157-	1		
	20B-62541-08	O RING	-8156	1		
-166	20B-62540-08	SPACER	8157-	1		
	20B-62540-08	SPACER	-8156	1		
-167	20B-62520-08	SPACER	8157-	1		
	20B-62520-08	SPACER	-8156	1		

7 ELECTRIC DEVICE



EX350D00030 FIG.700

REF.	PART NUMBER	PART NAME	CODE NO.	QTY	REMARKS	INTERCHANGE
10	20B-79230-H1	FLYWHEEL CP	-	1		
11	20B-79430-H1	IGNITION COIL CP	-	1		
30	001-14063-00	BOLT AND WASHER AY	7976-	2	M6X1.0X30L W/W,SW	
	001-14062-50	BOLT AND WASHER AY	-7975	2	M6X1.0X25L W/W,SW	
50	20B-73101-01	WIRE 1 CP	-	1		
60	066-00004-91	SWITCH AY	8249-	1		
	066-00004-90	SWITCH AY	-8248	1		
70	004-36041-20	SCREW AND WASHER AY	-	2	M4X0.7X12L W/SW	
75	214-79006-01	CLAMP CP	-	1	5DXM6X12BX0.4T	
78	011-00600-10	FLANGE BOLT	-	1	M6X1.0X14DX8L	
100	065-01401-50	SPARK PLUG	-	1	NGK BR6HS	
110	065-50003-11	SPARK PLUG CAP	-	1		
370	20B-73102-01	WIRE 2 CP	-	1		