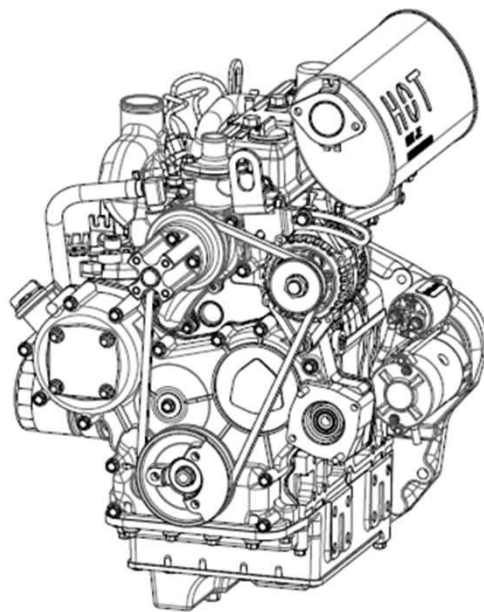


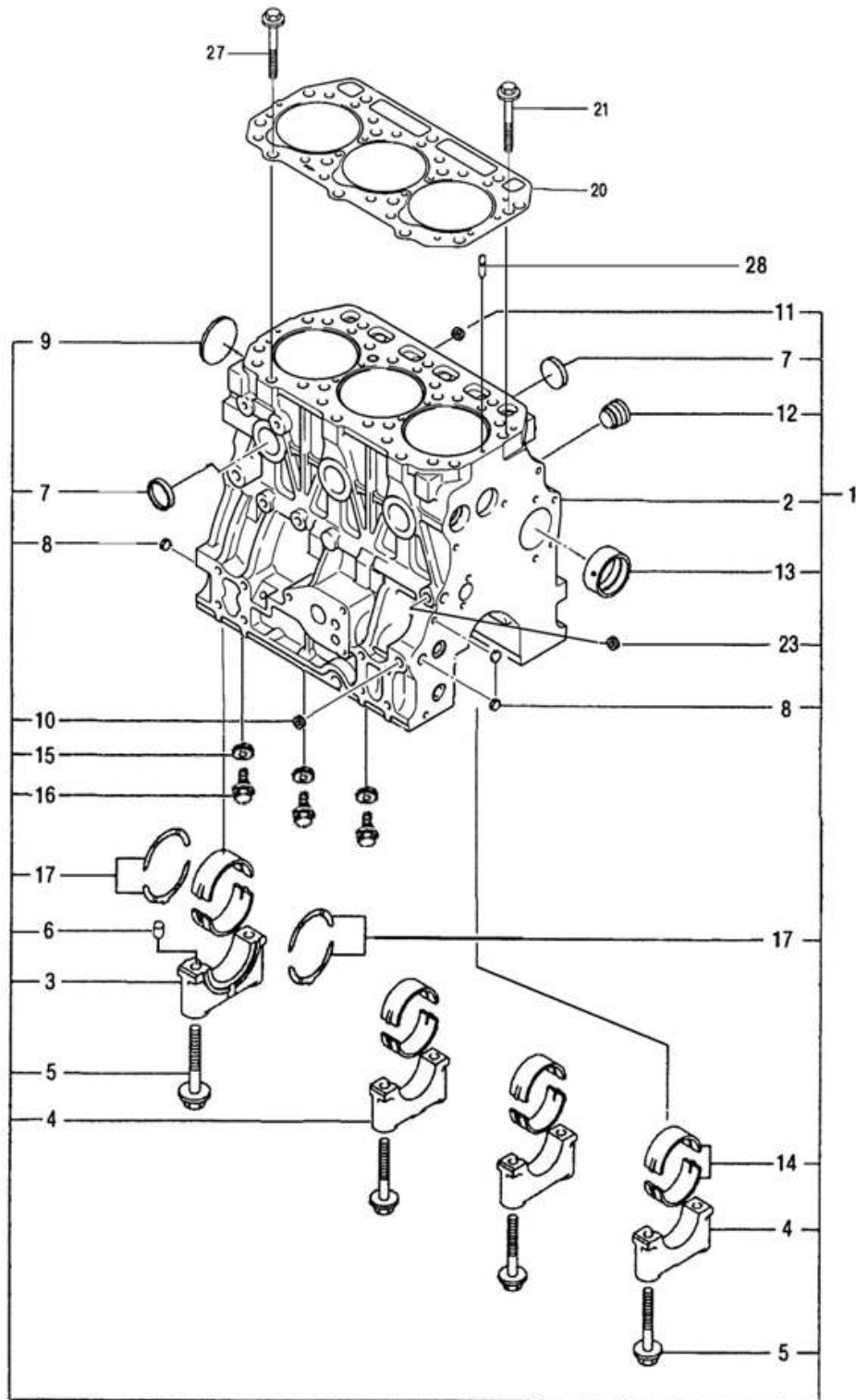
# Table of contents

<b>PART</b>	<b>ENGINE PART</b>	<b>PAGE</b>
1	CYLINDER BLOCK	1
2	GEAR CASE	3
3	MOUNTING FLANGE & OIL PAN	5
4	CYLINDER HEAD & HEAD COVER	7
5	INTAKE MANIFOLD	11
6	EXHAUST MANIFOLD	13
7	CAM SHAFT & DRIVING GEAR	15
8	CRANK SHAFT & PISTON	17
9	LUBRICATING OIL SYSTEM	19
10	COOLING SYSTEM	21
11	FUEL INJECTION PUMP	23
12	FUEL INJECTION SYSTEM	25
13	FUEL SYSTEM	27
14	STARTING MOTOR	29
15	GENERATOR & ELECTRIC DEVICE	31



(ENGINE)

# CYLINDER BLOCK



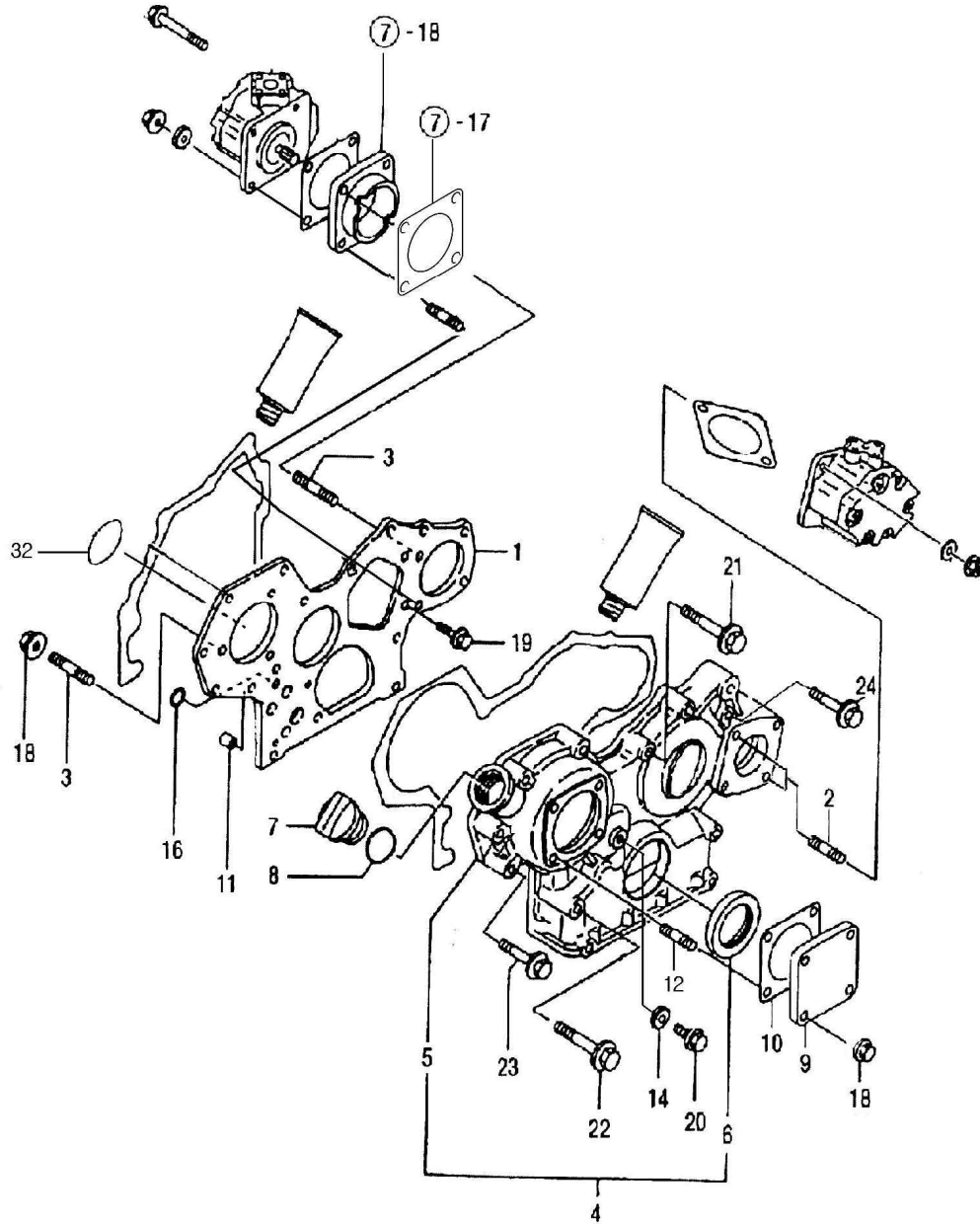
## CYLINDER BLOCK

A: A1700N4-ETR

Key	Part No	Part Name	Q'ty)		Remark
			A	B	
1	EA00004722A	BLOCK ASS'Y, CYLINDER	1		
2	HRD0103101C	BLOCK, CYLINDER	1		
3	HRA0100102B3	BEARING CAP(1)	1		
4	HRA0100103B3	BEARING CAP(2)	3		
5	HRA0100104A4	BOLT, BEARING CAP	8		
6	22351-030010	SPRING PIN	1		
7	27241-300000	PLUG 30	6		
8	HRA0100108A4	PLUG 12	3		
9	27231-500000	PLUG 50	1		
10	23871-020000	PLUG PT 1/4	2		
11	23871-030000	PLUG, PT 3/8	1		
12	HM23030000A4	PLUG(BLOCK HEATER)	1		
13	HRU0100105A3	BUSH(CAM SHAFT)	1		
14	HRA0100200A9	BEARING ASS'Y, MAIN(STD)	4		
15	23414-080000	PACKING	3		
16	26116-080122	BOLT 8 ×12	3		
17	HRA0100300A9	BEARING ASS'Y, THRUST	2		
20	HRR0100400B2	GASKET, HEAD	1		
21	HRA0100500A4	BOLT(HEAD, CYLINDER)	11		
23	23871-010000	PLUG PT 1/8	1		
27	HRA0100700A4	BOLT(HEAD, CYLINDER)	3		
28	HRA0100800A4	PIN(OIL)	1		

ENGINE

GEAR CASE



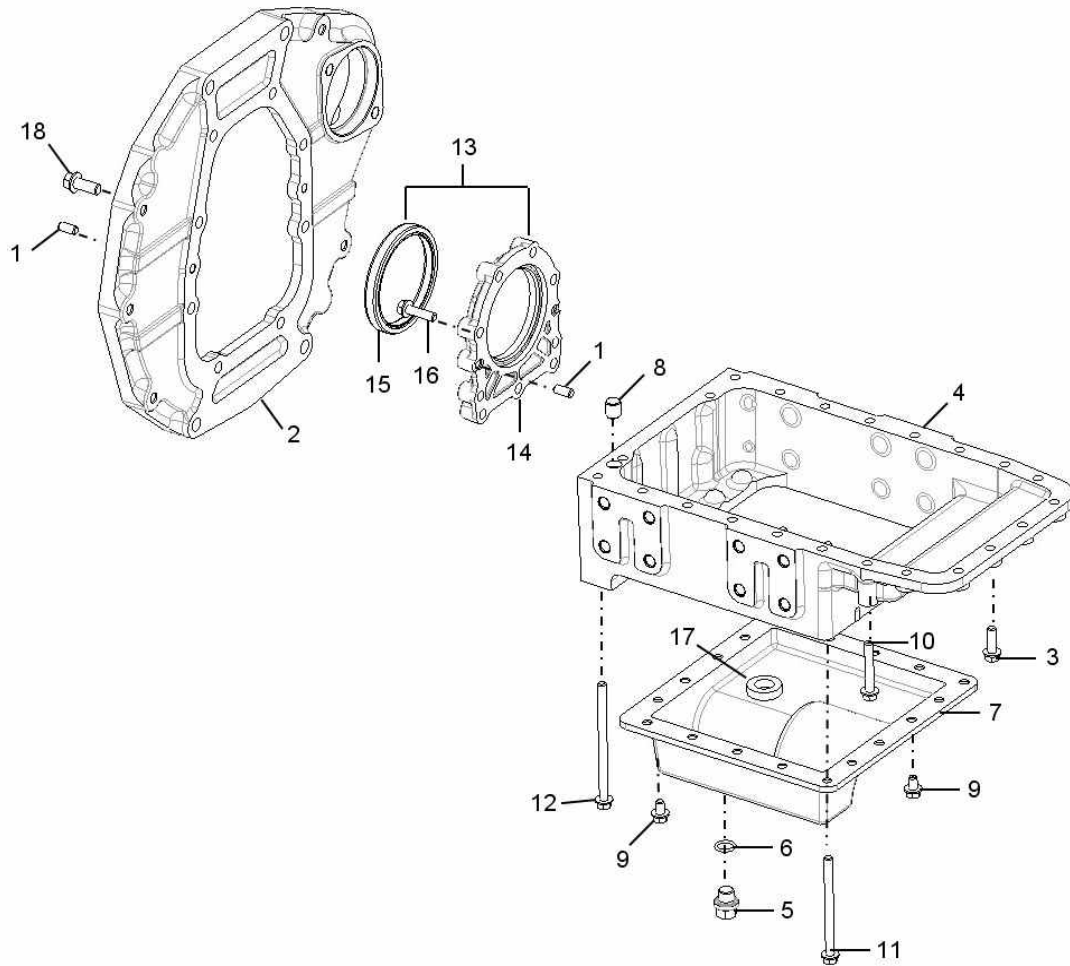
## GEAR CASE

A: A1700N4-ETR

Key	Part No	Part Name	Q'ty		Remark
			A	B	
1	HRA020010DD2	FLANGE, GEAR CASE	1		
2	26216-080222	STUD BOLT, M8 x L22	2		
3	HM02380000A4	STUD BOLT, M8 x L20	4		
4	EA00000527C	GEAR CASE ASS'Y	1		
5	EA00000413E	GEAR CASE	1		
6	HRC0200402B4	OIL SEAL	1		
7	HC03470000B4	LUB-OIL FILLER CAP	1		
8	24311-000320	O - RING	1		
9	HC01230000C4	COVER	1		
10	HA02110000B4	PACKING	1		
11	HRA0201100A4	KNOCK PIN	2		
12	26216-080162	STUD BOLT	4		
14	23414-080000	COPPER PACKING, $\Phi$ 8	1		
16	24311-000160	O - RING	2		
18	26367-080002	FLANGE NUT, M8	7		
19	26116-080162	BOLT, M8 x L16	3		
20	26106-080222	FLANGE BOLT, M8xL22	1		
21	26106-080602	FLANGE BOLT, M8xL60	3		
22	26106-080902	FLANGE BOLT, M8xL90	2		
23	26106-080852	FLANGE BOLT, M8xL85	7		
24	26106-080502	FLANGE BOLT, M8xL50	1		
32	24341-000500	O-RING	1		

(ENGINE)

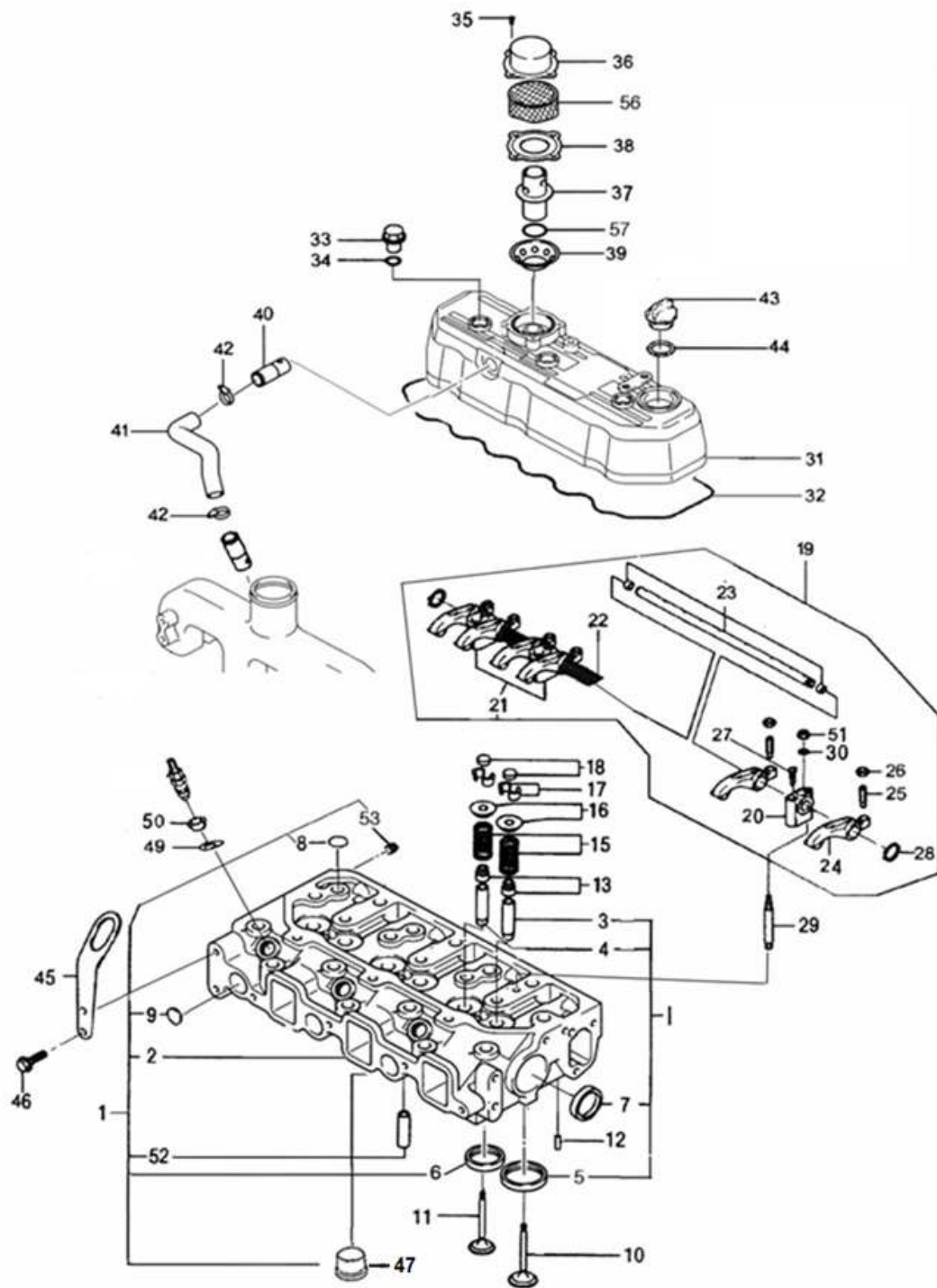
# MOUNTING FLANGE & OIL PAN





(ENGINE)

# CYLINDER HEAD & HEAD COVER





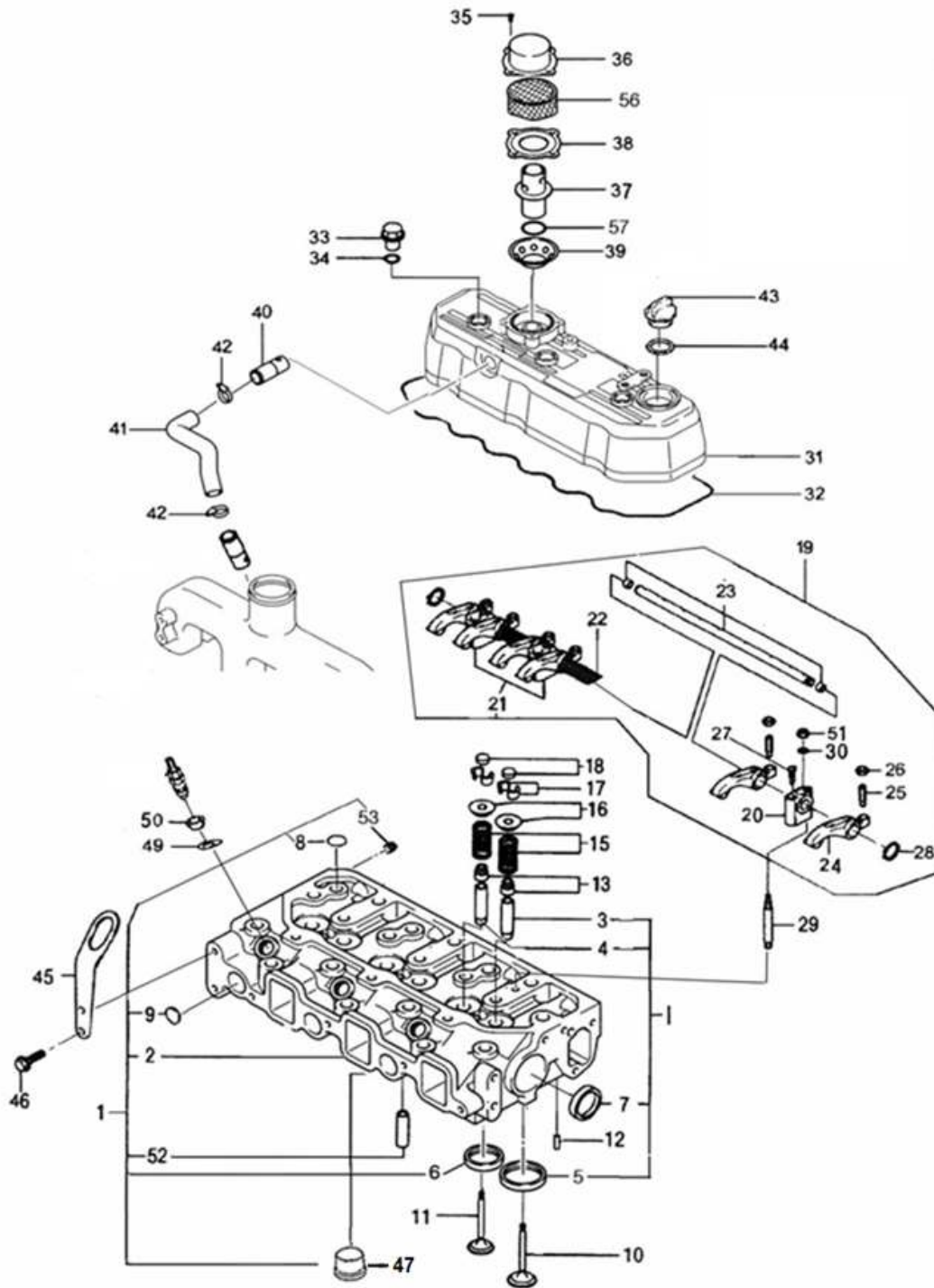
# CYLINDER HEAD & HEAD COVER

A: A1700N4-ETR

Key	Part No	Part Name	(Q'ty)		Remark
			A	B	
1	HRR2201000A9	HEAD ASS'Y, CYLINDER	1		
2	HRR2201001B0	HEAD, CYLINDER	1		
3	HRA0400103C4	GUIDE, SUC VALVE	3		
4	HRA0400103C4	GUIDE, EXH VALVE	3		
5	HRA0400104B4	SEAT, SUC VALVE	3		
6	HRA0400105B4	SEAT, EXH VALVE	3		
7	27241-400000	PLUG 40	2		
8	27241-220000	PLUG 22	3		
9	27241-220000	PLUG 22	3		
10	HRA0400200A4	VALVE, SUCTION	3		
11	HRA0400300A4	VALVE, EXHAUST	3		
12	22312-040100	PIN, PARALLEL 4×10	2		
13	HA03070000A4	SEAL, VALVE SHAFT	6		
15	HRA0400700A4	SPRING, VALVE	6		
16	HRA0400800A4	RETAINER, VALVE SPRING	6		
17	HRA0400900A4	COTTER, VALVE SPRING	12		
18	HK03680000B4	CAP, VALVE	6		
19	HRD0401100B2	SHAFT ASS'Y, ROCKER ARM	1		
20	HRA0401200A4	SUPPORT(A)	1		
21	HRA0401300A4	SUPPORT(B)	2		
22	HRA0401400A4	SPRING(ROCKER ARM)	2		
23	HRD0401500B3	SHAFT, ROCKER ARM	1		
24	HRA0401600B4	ROCKER ARM	6		
25	AF02110000E4	SCREW, VALVE	6		
26	HH05280000A4	NUT, ADJUSTING	6		
27	26921-080102	SCREW, STOP 8×10	1		
28	22242-000190	CIRCLIP	2		
29	HRA0401800A4	BOLT, STUD	3		
30	22117-120000	WASHER 12	3		
31	HRD0402300C0	COVER, HEAD	1		
32	HRD0402400B3	PACKING, HEAD COVER	1		
33	HA03520000B4	CAP, BONNET	3		
34	24311-000140	O - RING (P)	3		
35	26587-040102	SCREW 4×10	4		
36	HRA0403600A4	COVER, BREATHER	1		
37	HRA0403700A4	VALVE, PRESSURE RELIEF	1		
38	HRA0403800A4	GASKET, BREATHER	1		
39	HRA0403900A4	PLATE, BREATHER ADJUSTING	1		
40	HRA0404000A4	TUBE, BREATHER	1		
41	HRD0404100C3	HOSE, PALIN	1		
42	23080-021000	CLIP, HOSE 20	2		
43	HC03470000B4	OIL FILLER	1		

(ENGINE)

# CYLINDER HEAD & HEAD COVER

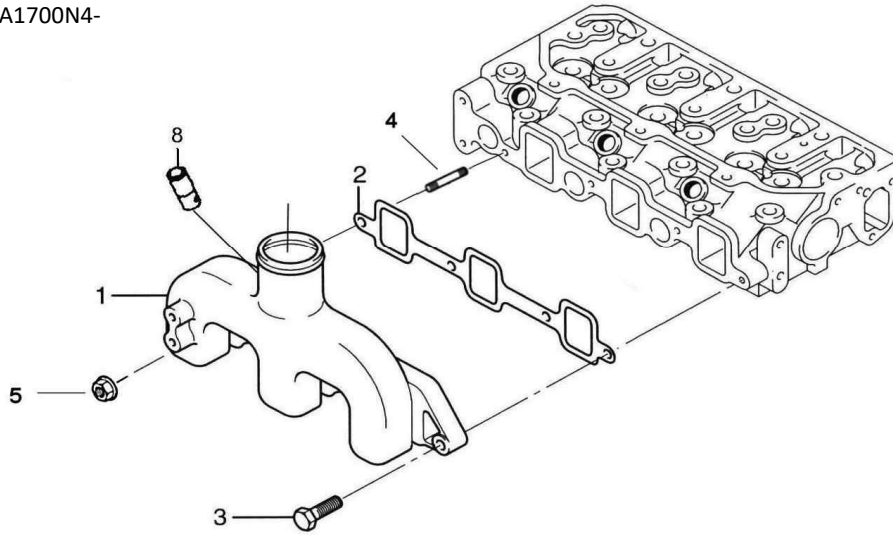




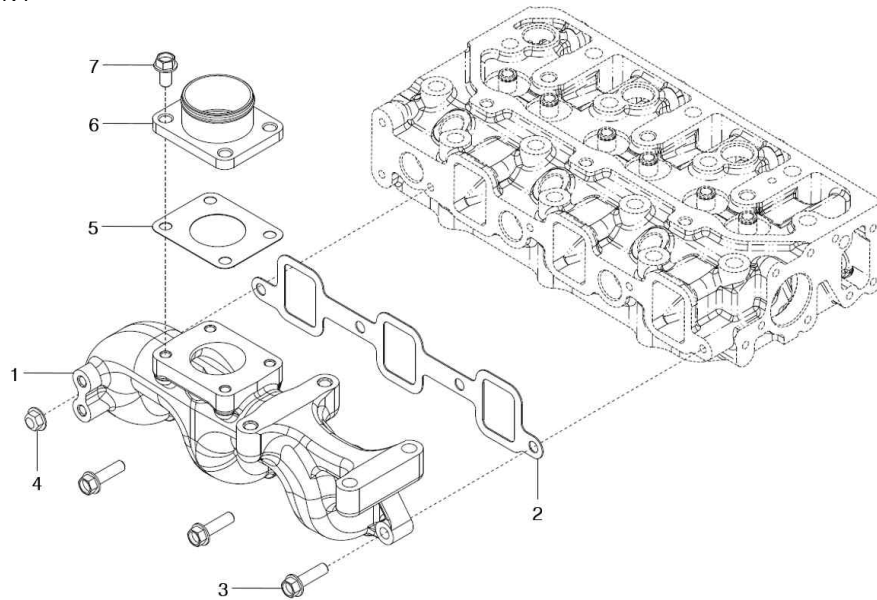
(ENGINE)

# INTAKE MANIFOLD

A1700N4-



A1700N4-



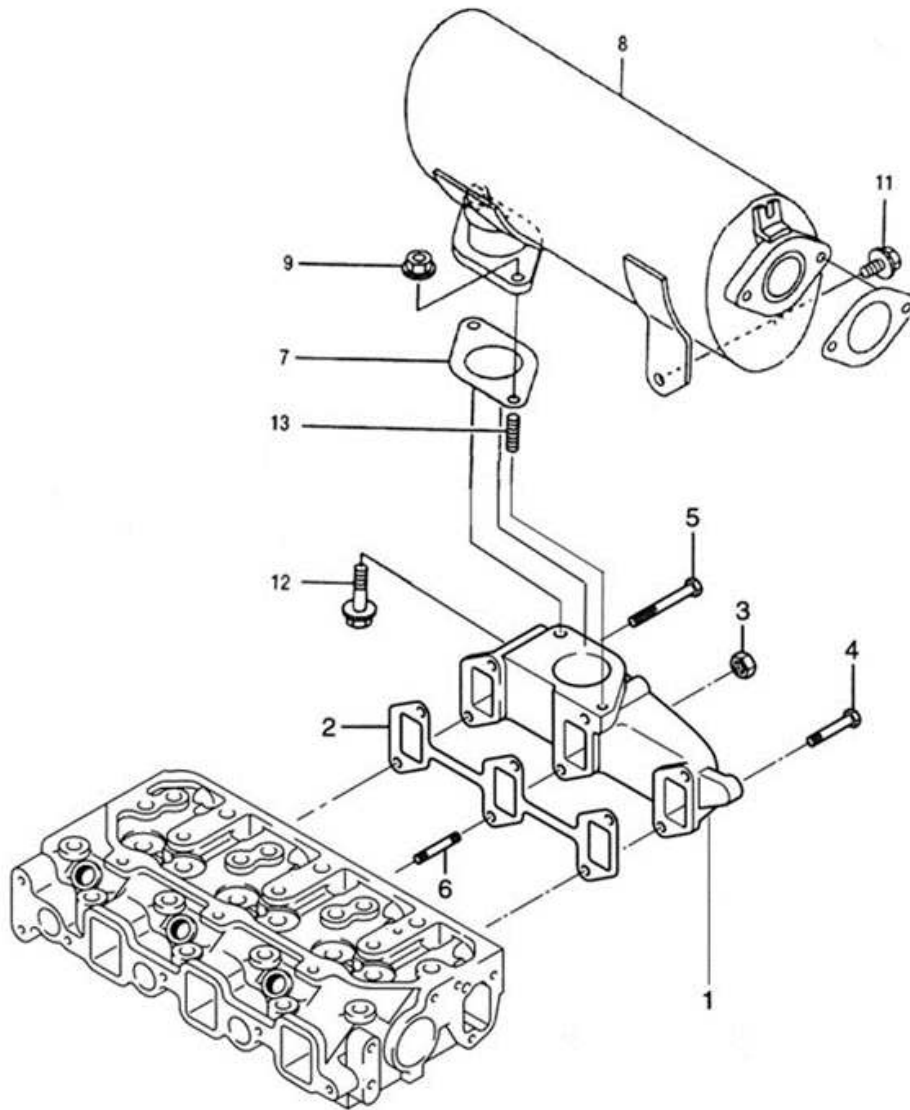
# INTAKE MANIFOLD

A: A1700N4-ETR

Key	Part No	Part Name	(Q'ty)		Remark
			A	B	
1	HRD0500100C1	MANIFOLD, INT.	1		
2	HRD0500200A3	PACKING(MANIFOLD, INT)	1		
3	26106-080302	BOLT, FLANGE 8 x 30	3		
4	26216-080352	BOLT, STUD 8 x 35	1		
5	26367-080002	NUT, FLANGE 8	1		
8	HRA0404000A4	TUBE, BREATHER	1		
1	EA00005557A	MANIFOLD, INT.			
2	HRD0500200A3	PACKING(MANIFOLD, INT)			
3	26106-080302	BOLT, FLANGE 8 x 30			
4	26367-080002	NUT, FLANGE 8			
5	EA00003585B	GASKET, INTAKE PIPE			
6	EA00005614A	PIPE, INTAKE			
7	26106-080162	BOLT, FLANGE 8 x 16			

(ENGINE)

# EXHAUST MANIFOLD



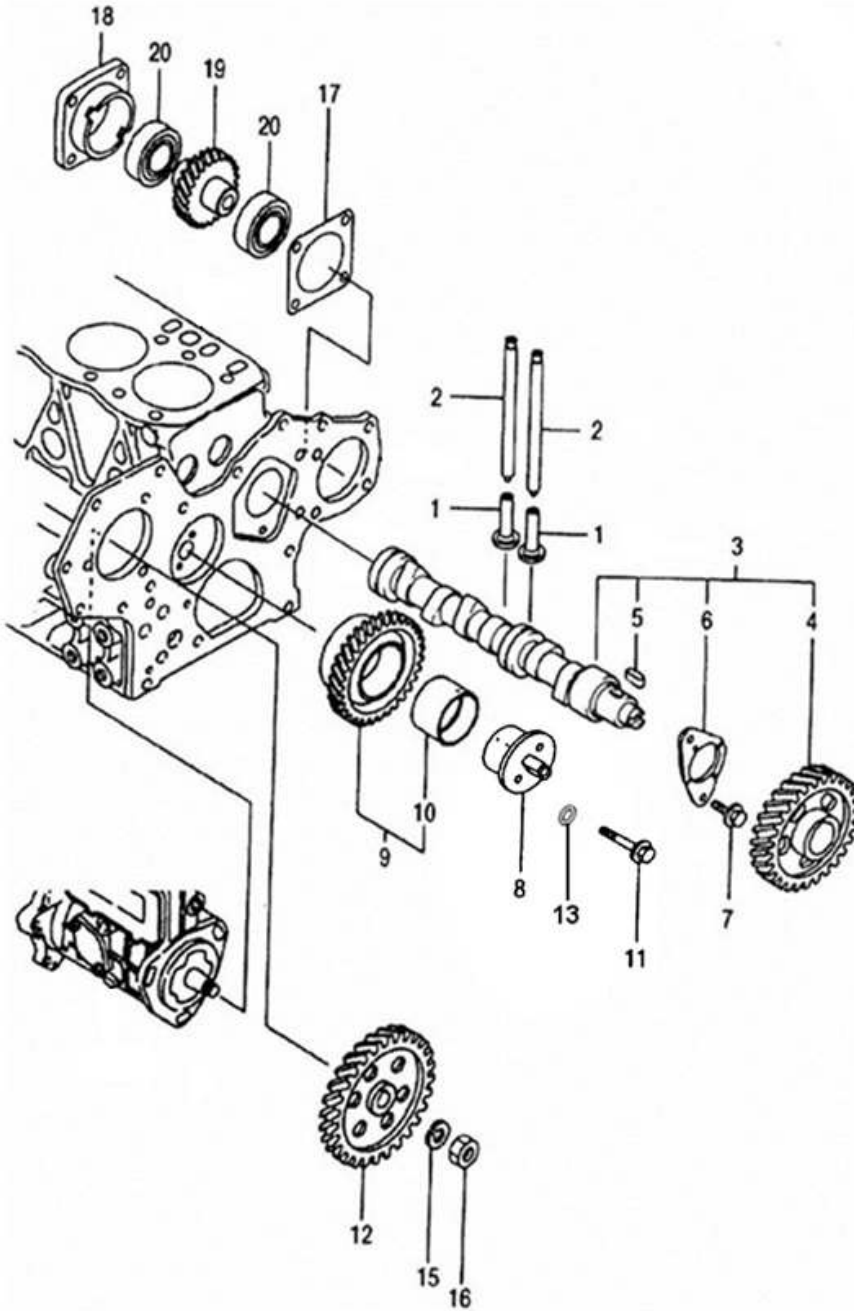
## EXHAUST MANIFOLD

A: A1700N4-ETR

Key	Part No	Part Name	Q'ty)		Remark
			A	B	
1	HRD0600100A1	MANIFOLD, EXHAUST	1		
2	HRD0600200A3	GASKET, EXH. MANIFOLD	1		
3	EA00000645A	NUT, FLANGE 8	2		
4	26106-080452	BOLT, FLANGE 8 ×45	2		
5	26106-080802	BOLT, FLANGE 8 ×80	2		
6	26216-080502	BOLT, STUD 8 ×50	2		
7	EA00005497A	GASKET(SILENCER)	1		
8	HRK0600800A0	SILENCER, EXHAUST	1		
9	EA00000645A	NUT, FLANGE 8	1		
11	26106-080162	BOLT, FLANGE 8 x 16	1		
12	26106-080402	BOLT, FLANGE 8 ×40	1		
13	26216-080222	BOLT, STUD 8 x 22	1		

(ENGINE)

## CAM SHAFT & DRIVING GEAR

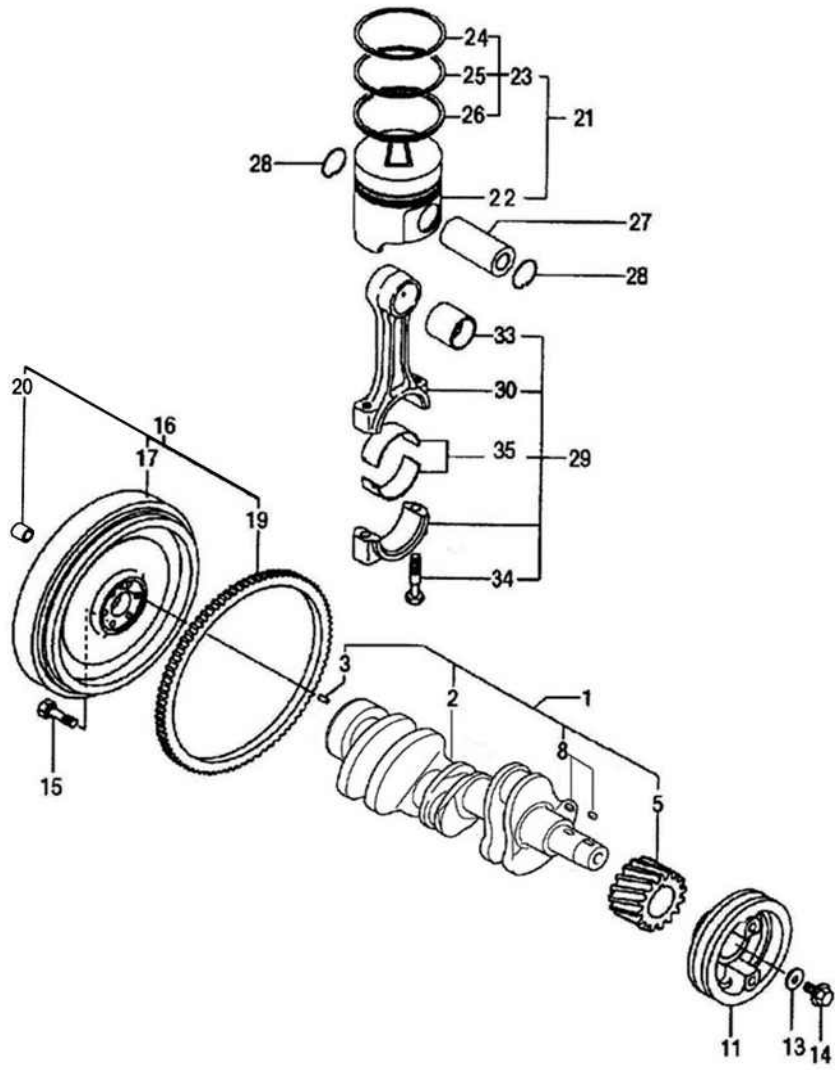






(ENGINE)

(CRANK SHAFT & PISTON)



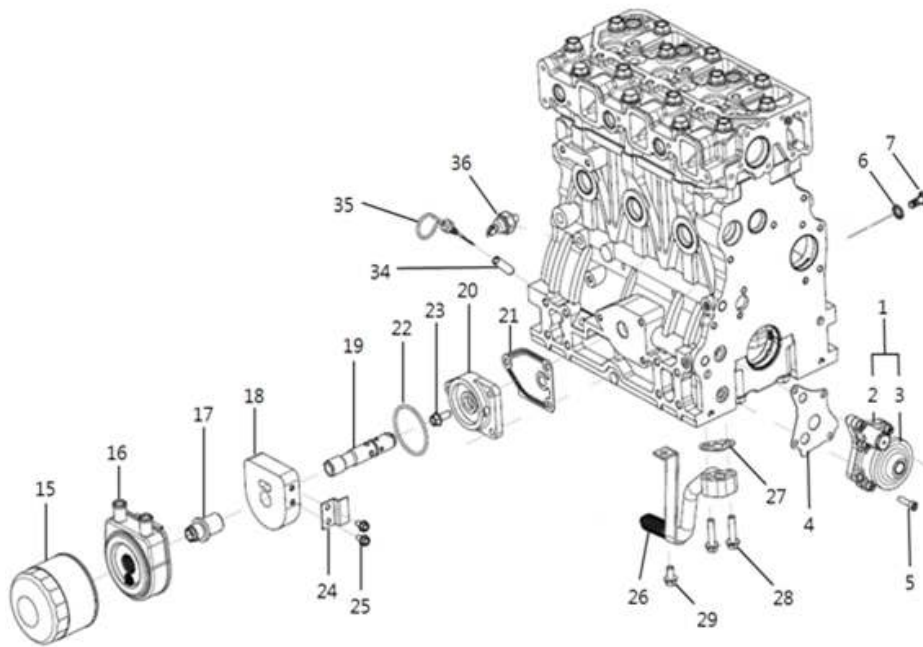
# CRANK SHAFT & PISTON

A: A1700N4-ETR

Key	Part No	Part Name	(Q'ty)		Remark
			A	B	
1	EA00004724A	CRANK SHAFT ASS'Y	1		
2	HRD0800101C0	CRANK SHAFT	1		
3	22312-080160	PARALLEL PIN	1		
5	HRA0800200A3	CRANK GEAR	1		Z=28
8	22512-070140	FEATHER KEY	2		
11	EA00005666A	V-PULLEY, CRANK SHAFT	1		
13	HRA0800800A4	WASHER, V-PULLEY	1		
14	HH09090000A4	BOLT, V-PULLEY	1		M14 x P1.5
15	EA00002306A	BOLT, FLY WHEEL	6		M10 x P1.25
16	EA00002245B	FLY WHEEL ASS'Y	1		
17	EA00002246B	FLY WHEEL	1		
19	HA07070000A2	RING GEAR	1		Z=127
20	24104-063024	BALL BEARING	1		
21	HRA0801300A9	PISTON ASS'Y	3		
22	HRA0801301B1	PISTON	3		
23	HRA0801302B9	PISTON RING ASS'Y	3		
24	HRA0801303A4	PISTON RING (1st)	3		
25	HRA0801304B4	PISTON RING (2nd)	3		
26	HRA0801305B4	PISTON RING (oil)	3		
27	HK27150000D4	PISTON PIN	3		
28	HA08070000A4	RETAINING RING	6		
29	HRA0801600C9	CONNECTING ROD ASS'Y	3		
30	HRA0801601C2	CONNECTING ROD	3		
33	HRA0801603B4	BUSH, PISTON PIN	3		
34	HRA0801602A4	BOLT, CONNECTING ROD	6		M9 x P1.0
35	HRA0801700A3	BEARING, CRANK PIN	6		

(ENGINE)

# LUB-OIL SYSTEM



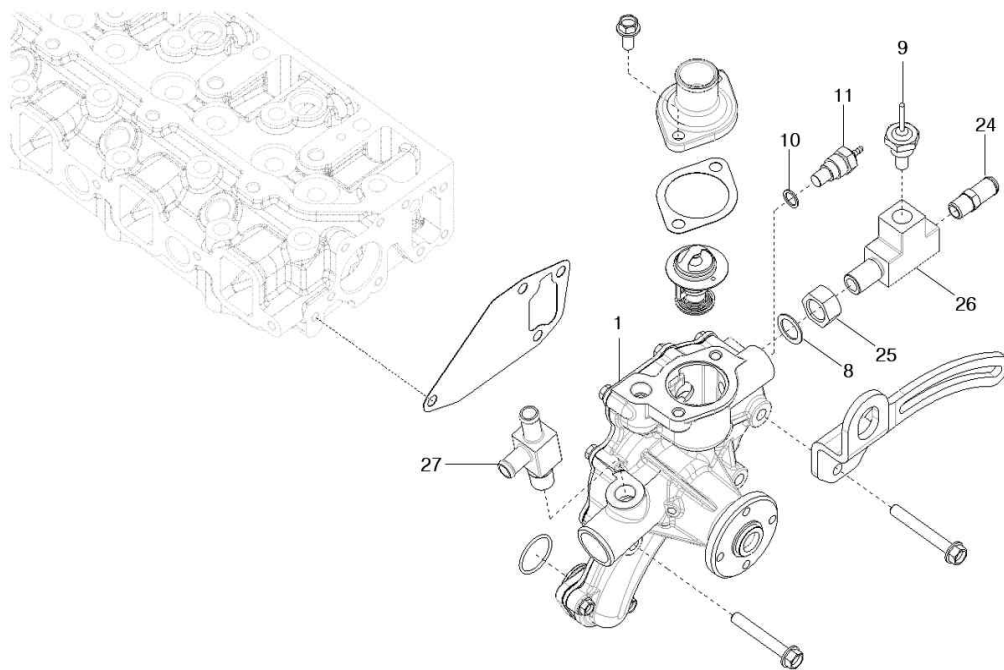
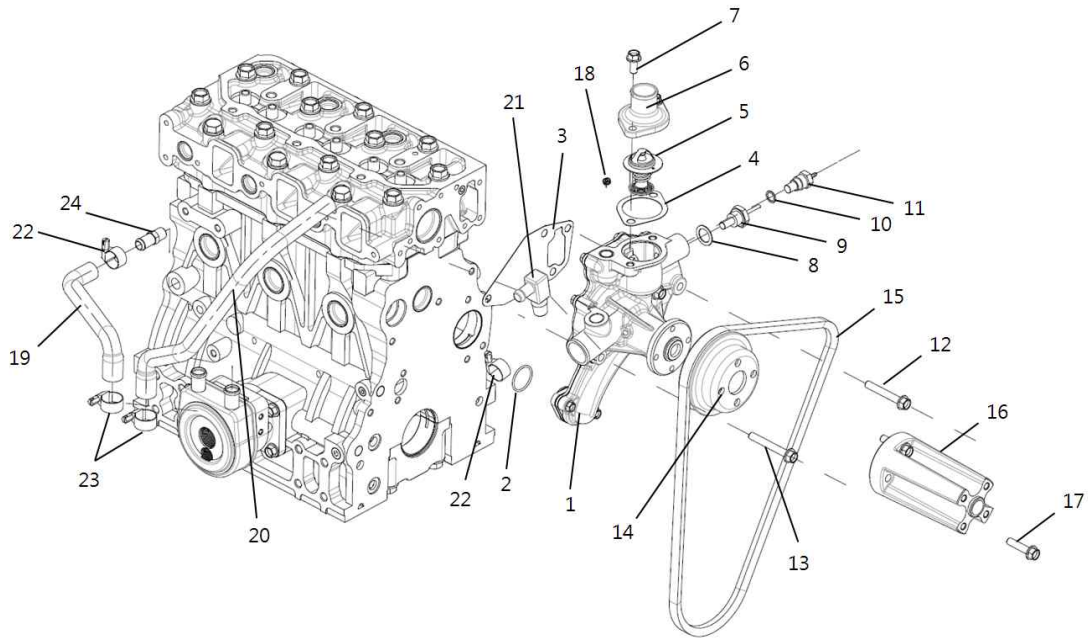
# LUB-OIL SYSTEM

A: A1700N4-ETR

Key	Part No	Part Name	(Q'ty)		Remark
			A	B	
1	HRA1100109A9	LUB-OIL PUMP ASS'Y	1		
2	HRA1100100B2	LUB-OIL PUMP	1		
3	HRA1100112A3	OIL PUMP GEAR	1		Z=29
4	HRA1100600A4	PACKING, OIL PUMP	1		
5	26450-060252	BOLT, M6 x L25	4		
6	23414-100000	WASHER, SEALING	1		
7	23887-100002	SCREW, HEXAGON HEAD CAP	1		
15	EA00004647A	OIL FILTER	1		
16	EA00000309A	OIL COOLER	1		
17	EA00000310A	BOLT, OIL COOLER	1		
18	EA00002818A	SPACER, OIL COOLER	1		
19	EA00002852A	OIL PRESSURE CONTROL VALVE	1		
20	HRA1100900B	BRACKET, OIL FILTER	1		
21	HRA1101000A4	PACKING, OIL FILTER	1		
22	24321-000600	O - RING	1		
23	26106-080202	FLANGE BOLT, M8 x L20	3		
24	EA00002900A	BRACKET, OIL COOLER	1		
25	26106-060122	FLANGE BOLT, M6 x L12	2		
26	HRD1100800B2	OIL SUCTION PIPE	1		
27	HRD1100700A4	PACKING, OIL SUCTION PIPE	1		
28	26106-080352	FLANGE BOLT, M8 x L35	2		
29	26106-080162	FLANGE BOLT, M8 x L16	1		
34	HL03210000B4	GUIDE, DIPSTICK	1		
36	HRD1101800A3	DIPSTICK	1		
37	HA09250000A3	OIL PRESSURE SWITCH	1		

(ENGINE)

# COOLING SYSTEM



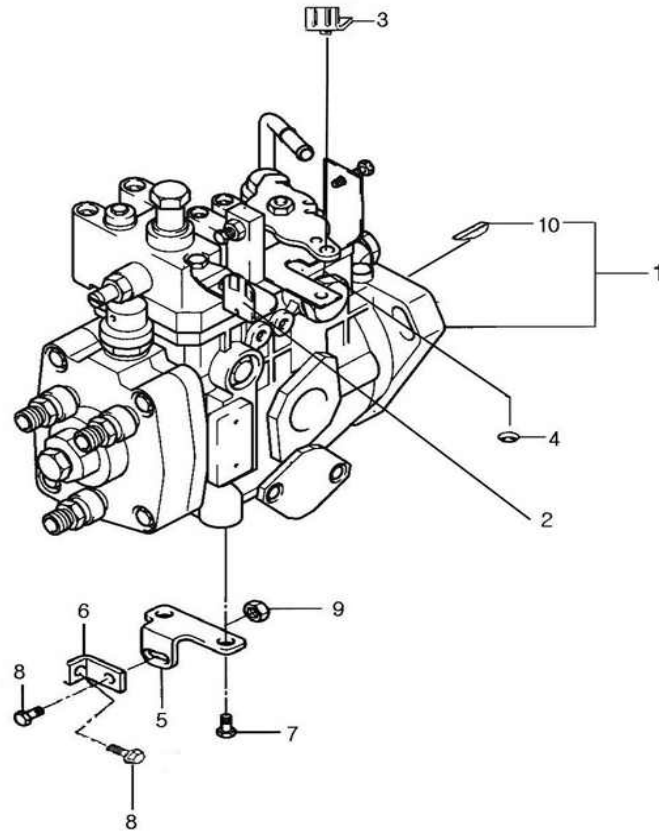
# COOLING SYSTEM

A: A1700N4-ETR

Key	Part No	Part Name	(Q'ty)		Remark
			A	B	
1	EA00005801A	WATER PUMP ASS'Y	1		
2	24341-000280	O-RING	1		
3	HRA1200200A3	PACKING, WATER PUMP	1		
4	HA10670000B4	PACKING, COVER	1		
5	HK10030000A3	THERMOSTAT	1		
6	HC09160000B4	COVER, THERMOSTAT	1		
7	26106-080182	FLANGE BOLT, M8×L18	2		
8	23414-160000	COPPER PACKING, Φ16	1		
9	HH12210000A3	SENSOR, GLOW PLUG	1		
10	23414-100014	COPPER PACKING, Φ10	1		
11	HH12190000A3	COOLANT TEMP. SENSOR	1		
12	26106-080602	FLANGE BOLT, M8×L60	1		
13	26106-080552	FLANGE BOLT, M8×L55	3		
14	HRU0140100A3	V-PULLY	1		Ø95.5
15	EA00005549A	V-BELT	1		
16	EA00004979A	SPACER, COOLING FAN	1		
	EA00004118A	SPACER, COOLING FAN			
17	26106-080352	FLANGE BOLT, M8×L35	4		
18	23871-030000	TAPER PLUG, PT 3/8	1		
19	EA00002854A	COOLING HOSE A	1		
20	EA00002902A	COOLING HOSE B	1		
21	CEE2080000A4	90° ELBOW	1		
22	23000-025000	HOSE CLAMP, Φ25	2		
23	23000-022000	HOSE CLAMP, Φ22	2		
24	HRC1204000A4	JOINT, PT 1/4	1		
25	26736-160002	NUT			
26	FLW5100000A3	T JOINT			
27	FLW5110000B3	T JOINT			

(ENGINE)

# FUEL INJECTION PUMP





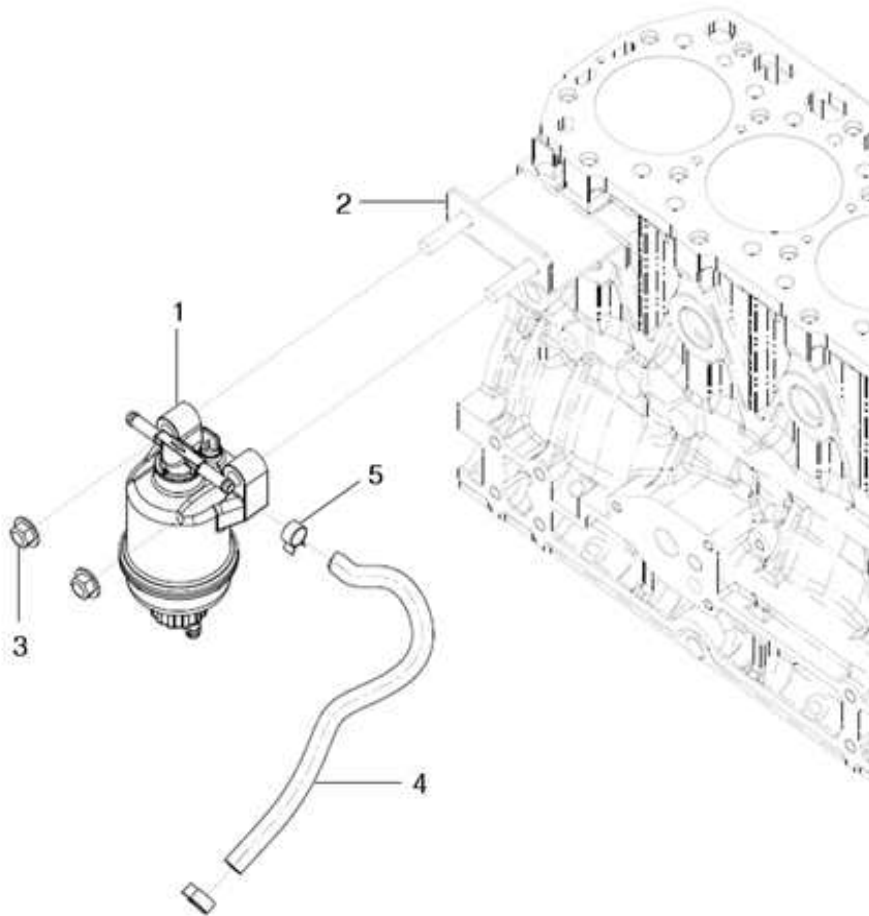






(ENGINE)

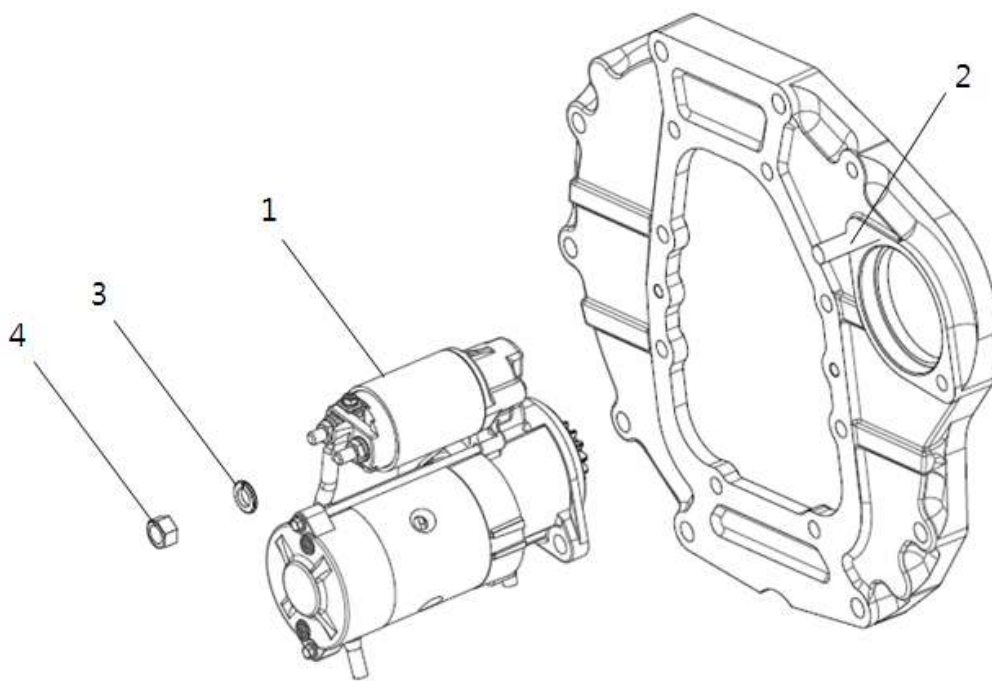
# FUEL SYSTEM





(ENGINE)

## STARTING MOTOR





(ENGINE)

# GENERATOR & ELECTRIC DEVICE

