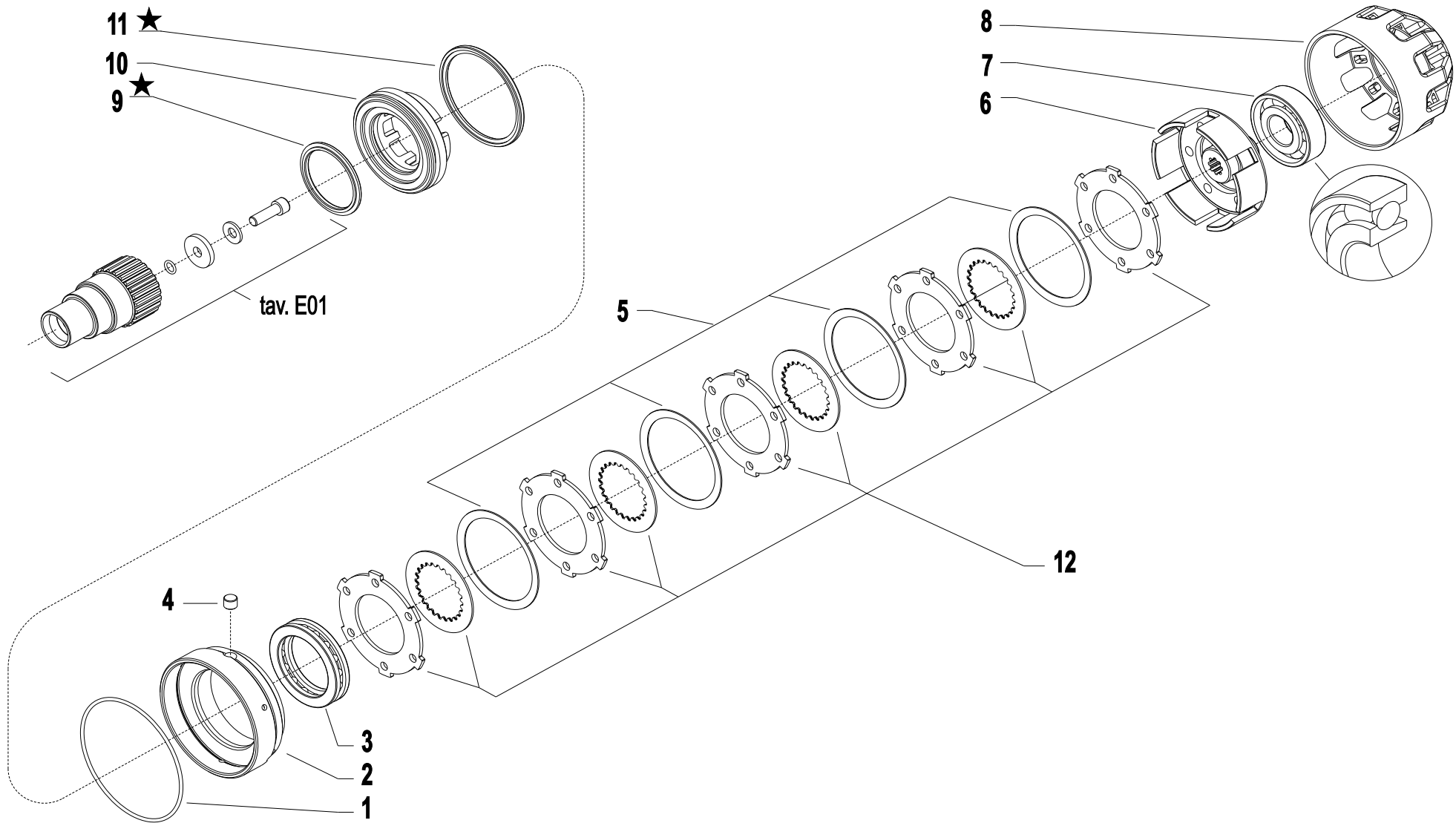


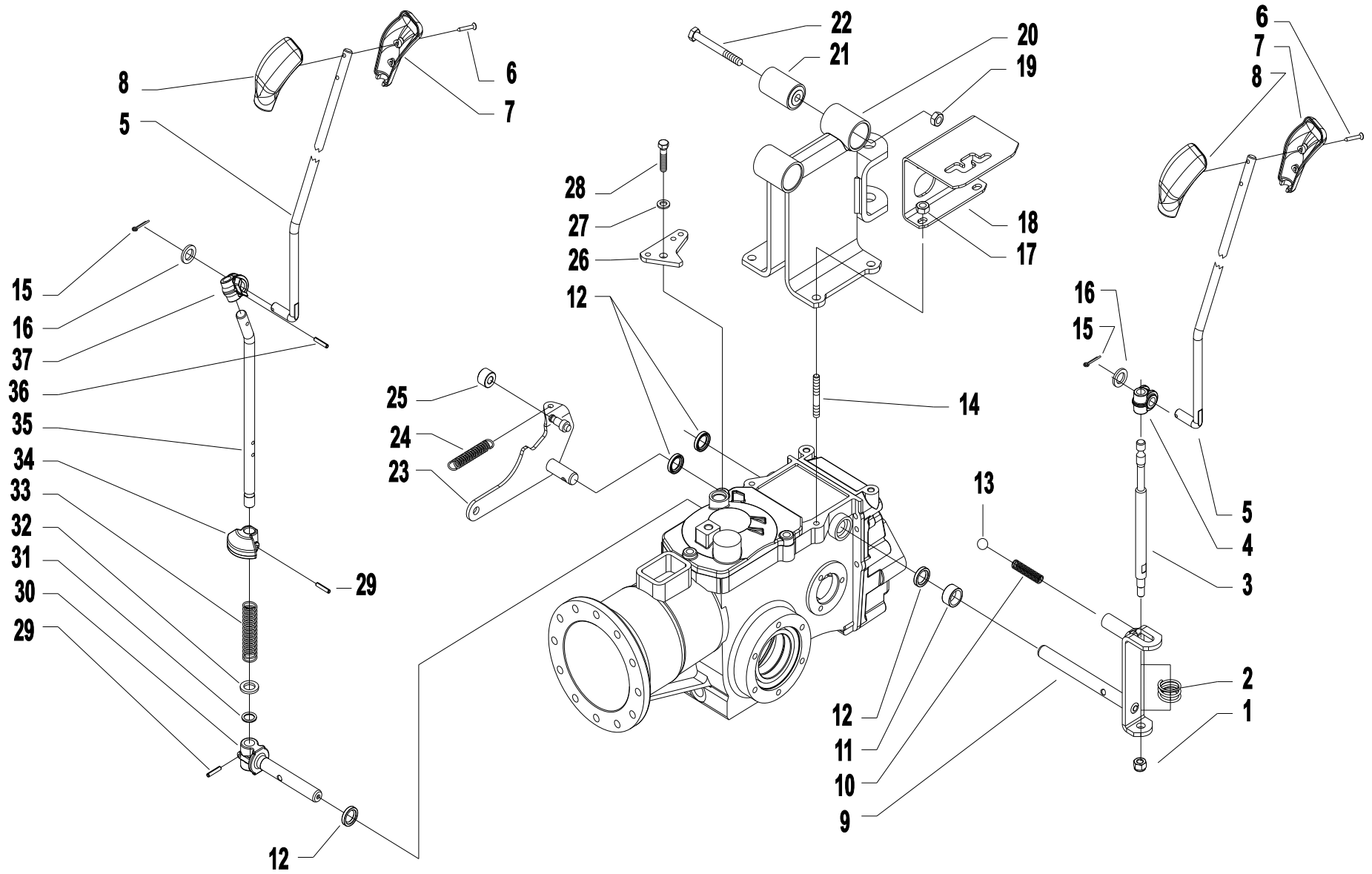
**i** = info - stop 2 sec. ★ = new part

<b>Pos.</b>	<b>Code</b>	<b>Q.ty</b>	<b>Description</b>	<b>Notes</b>
7	31112081		SCREW TE C/F M6X20 DIN 6921 8G	
10	31112154		SCREW TE M8X40 UNI 5739 8G	
14	31100451		SCREW 3,5X25	

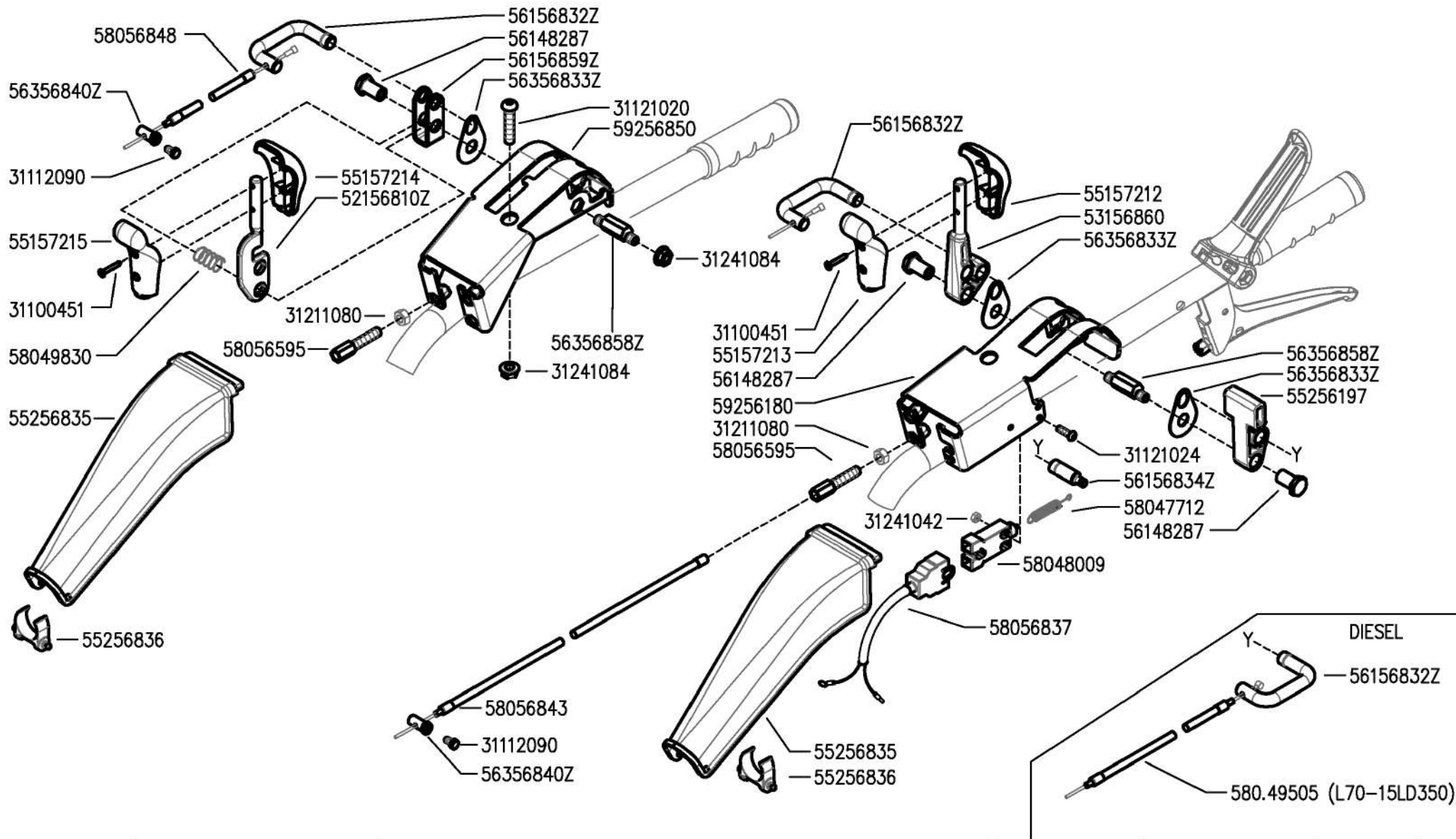


**i** = info - stop 2 sec. ★ = new part

Pos.	Code	Q.ty	Description	Notes
1	38118859		O-RING OR 3375 (94,92X2,62)	
2	56356216		RING	
3	37161500		BEARING 51110 (50X70X14)	
4	56156247		PIN	
5	56556213		SPRING	n. 4
6	52456694		FRICITION BELL	Replaces 56356212 + 56356215 + 52456211
7	37141253		BEARING 7305-BJP OBL 25x62x17	
8	53156210		SUMP	
9	38120501		RING PTFE PRP 01A02-0500-A-32	REPLACE 38120500 + 38140850
10	53156218		PISTON	
11	38140851		RING PTFE PRP02A02-0850-A-32-N	REPLACE 38120500 + 38140850
12	59256693		9 DISC CLUTCH	Replaces 56356212 + 56356215 + 52456211



<b>Pos.</b>	<b>Code</b>	<b>Q.ty</b>	<b>Description</b>	<b>Notes</b>
6	31100451	1	SCREW 3,5X25	
21	30010142	1	SILENT-BLOCK 10,2X30X45X49	
22	31111217	1	SCREW TE M10X75 UNI 5737 8G	
28	31112152	1	SCREW TE M8X30 UNI 5739 8G	



700 serie PS  
PowerSafe®

HANDLEBAR CONTROLS  
CONTROLES EN EL MANILLAR

COMANDI SUL MANUBRIO  
(720)

CONTROLES SUR LE MANCHERON  
KONTROLLEN AM LINCHER

DALLA MACCHINA  
DE LA MAQUINA  
DE LA MAQUINA  
FROM THE MACHINE  
AB DER MASCHINE

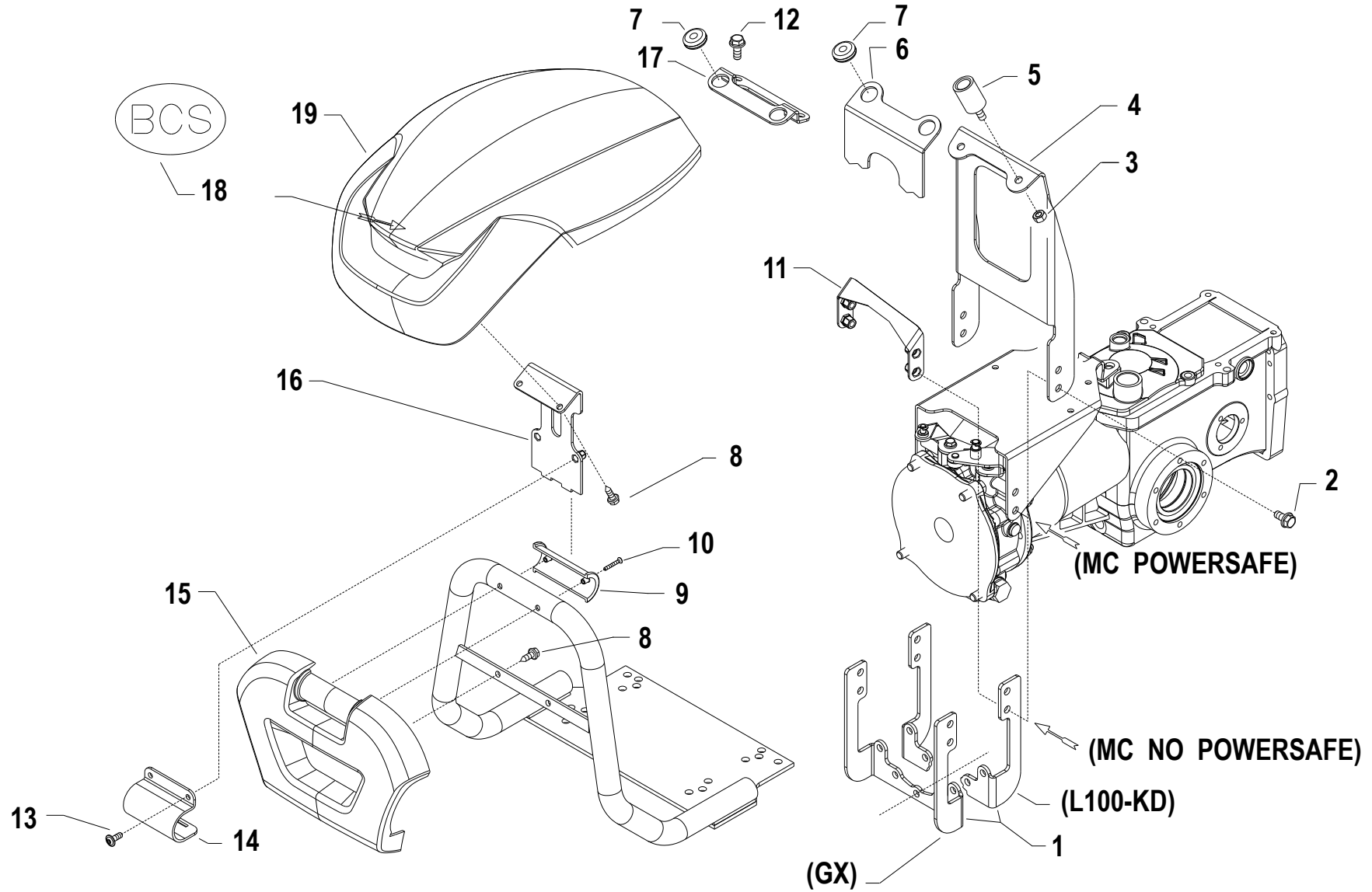
N.


L02  
05/2009

Rev.  
0

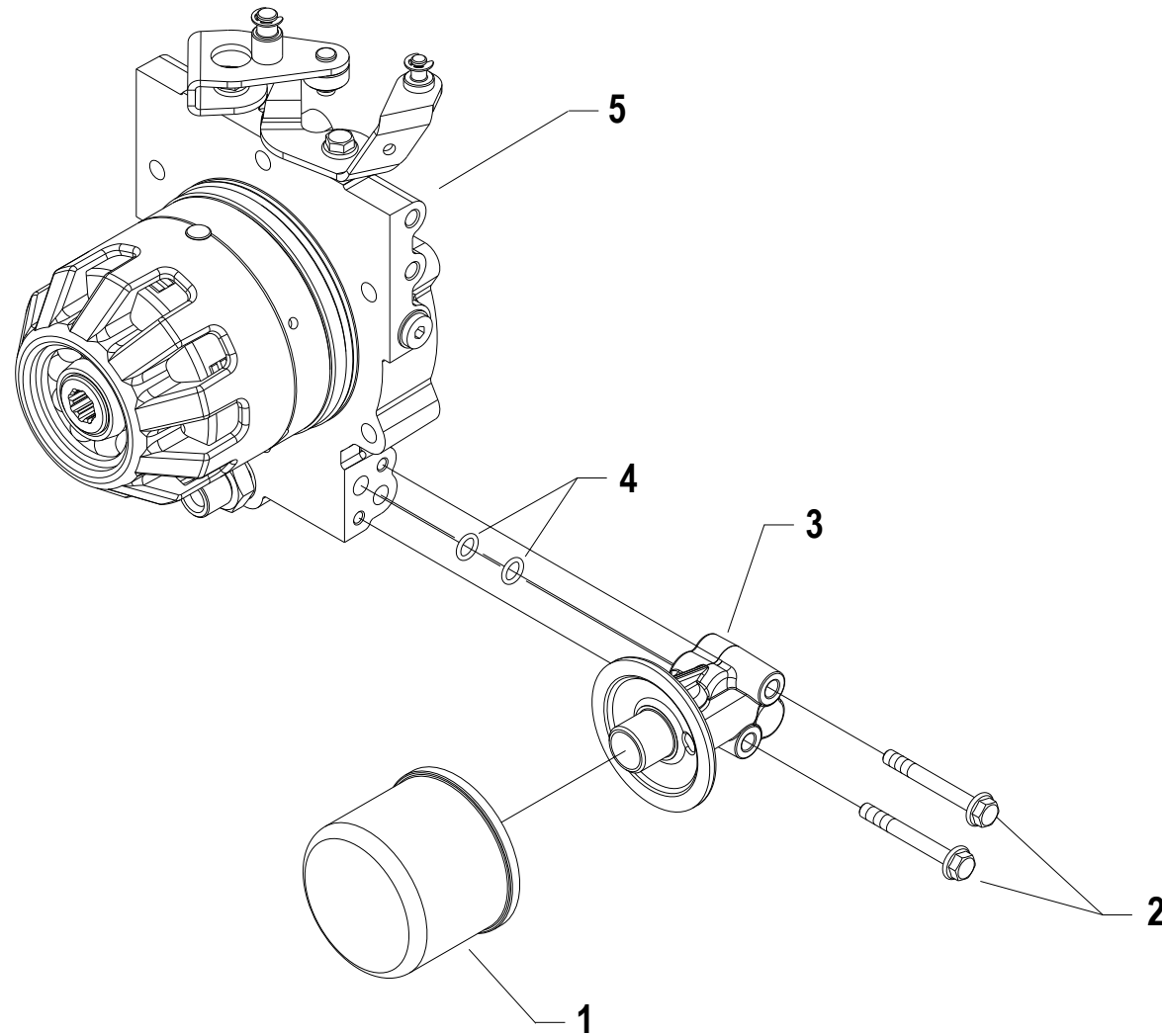
<b>Pos.</b>	<b>Code</b>	<b>Q.ty</b>	<b>Description</b>	<b>Notes</b>
31100451	31100451	1	SCREW 3,5X25	
31112090	31112090	1	SCREW TE M6X16 UNI 5739 8G	



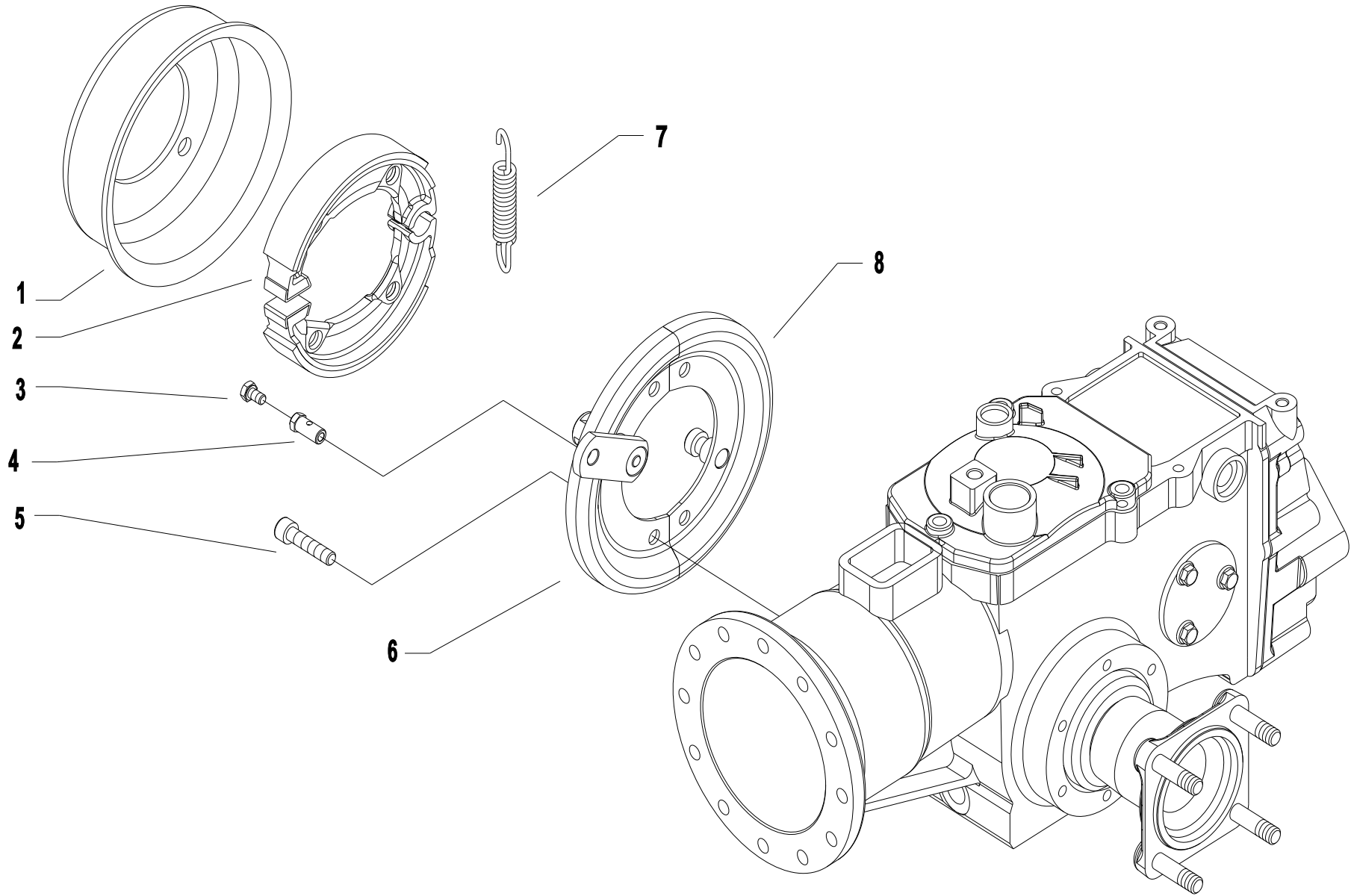


**i** = info - stop 2 sec. ★ = new part

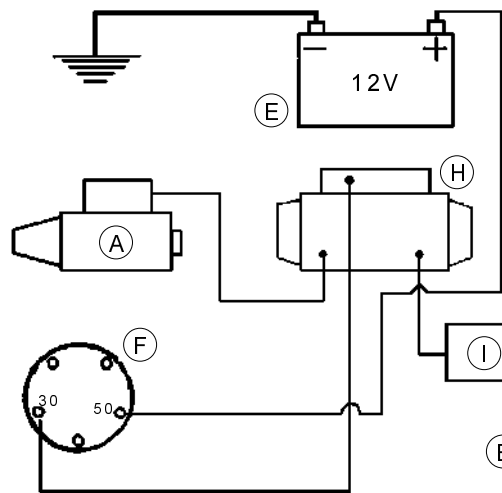
<b>Pos.</b>	<b>Code</b>	<b>Q.ty</b>	<b>Description</b>	<b>Notes</b>
2	31112170		SCREW TE C/F M8X20 DIN 6921	
3	31211080		NUT M8	
10	31100451		SCREW 3,5X25	
12	31112171		SCREW TE C/F M8X16 DIN 6921	3LD510
13	31121018		SCREW TBCEI FLANG. M6X16	



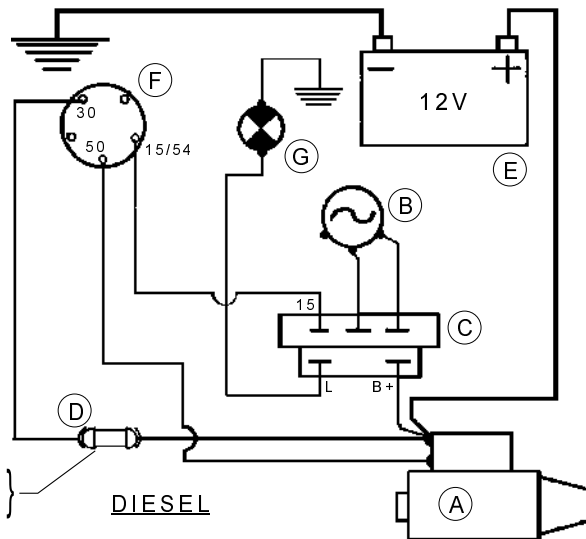
Pos.	Code	Q.ty	Description	Notes
1	58056208	1	FILTER	
2	31112099	1	SCREW TE C/F M6X50 DIN 6921 8G	
3	53156209	1	CONNECTION	
3	53156659	1	CONNECTION	Powersafe EasyDrive
4	38110873	1	O-RING 108 (8,73X1,78)	
5	59256035	1	POWERSAFE CLUTCH ASSY Q19	For motors GX160/200
5	59256036	1	POWERSAFE CLUTCH	For motors GX240/270-EX21
5	59256037	1	CLUTCH FOR POWERSAFE Q25.4 (3/8)	For motors GX340/390
5	59256038	1	POWERSAFE CLUTCH	For motors 15LD350/440-L70/100
5	59256039	1	POWERSAFE CLUTCH ASSY	For motors 15LD500/3LD510



Pos.	Code	Q.ty	Description	Notes
3	31112090	1	SCREW TE M6X16 UNI 5739 8G	

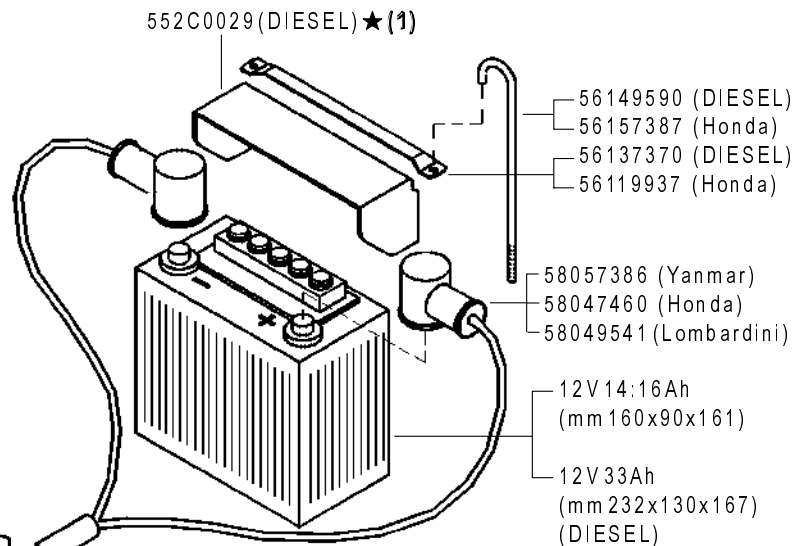


HONDA



(Yanmar) 15A  
(Lombardini) 25A

DIESEL



552C0029 (DIESEL) ★(1)

56149590 (DIESEL)  
56157387 (Honda)  
56137370 (DIESEL)  
56119937 (Honda)

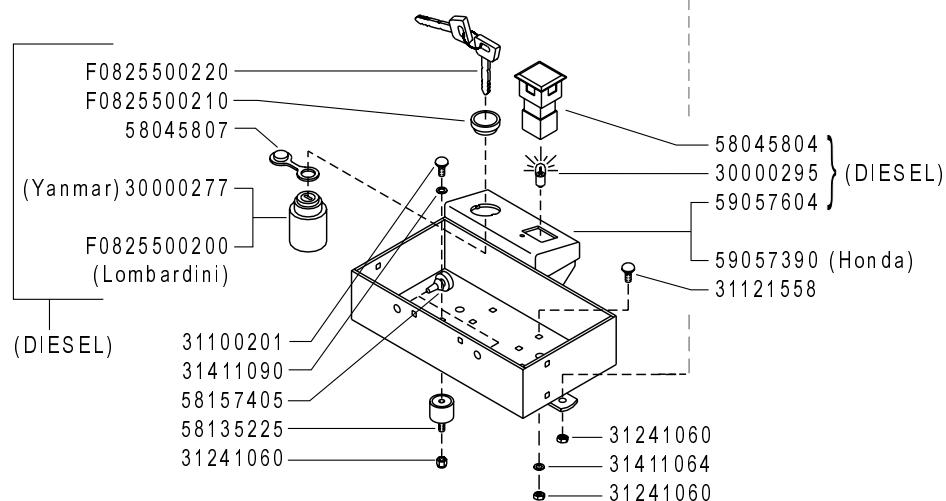
58057386 (Yanmar)  
58047460 (Honda)  
58049541 (Lombardini)

12V 14:16Ah  
(mm 160x90x161)

12V 33Ah  
(mm 232x130x167)  
(DIESEL)

A	B	C	D
MOTORINO D'AVVIAMENTO STARTER DÉMARREUR MOT. DE ARRANQUE ANLASSMOTOR	GENERATORE GENERATOR GÉNÉRATEUR GENERADOR GENERATOR	REGOLATORE REGULATOR RÉGULATEUR REGULADOR REGLER	FUSIBILI FUSES FUSIBLES FUSIBLES SCHMELZSICHERUNGEN

E	F	G	H	I
BATTERIA BATTERY BATTERIE BATERIA BATERIE	INTERRUTTORE SWITCH INTERRUPTEUR INTERRUPTOR SCHALTER	SPIA CARICA BATTERIA BATTERY LONG WARN. LIGHT TEMOIN CHARG. BATTERIE LUZ CARGA BATERIA BATTERIE LADUNG KTRL. LAMPE	SOLENOIDE SOLENOID SOLÉNOÏDE SOLENOIDE SOLENOID	DIODO DIODE DIODE DIODE DIODE



F0825500220  
F0825500210  
58045807

(Yanmar) 30000277

F0825500200  
(Lombardini)

(DIESEL)

58045804  
30000295  
59057604 } (DIESEL)

59057390 (Honda)  
31121558

31100201  
31411090  
58157405  
58135225  
31241060  
31241060  
31241060

(1) sostituisce 58057610



700 serie PS  
PowerSafe®

AVVIAMENTO ELETTRICO

ELECTRIC STARTER  
ARRANQUE ELECTRICO

DÉMARRAGE ELECTRIQUE  
ELEKTROSTART

DALLA MACCHINA  
FROM THE MACHINE  
DE LA MACHINE  
DE LA MAQUINA  
AB DER MASCHINE

★ N.

884219

Q01 1

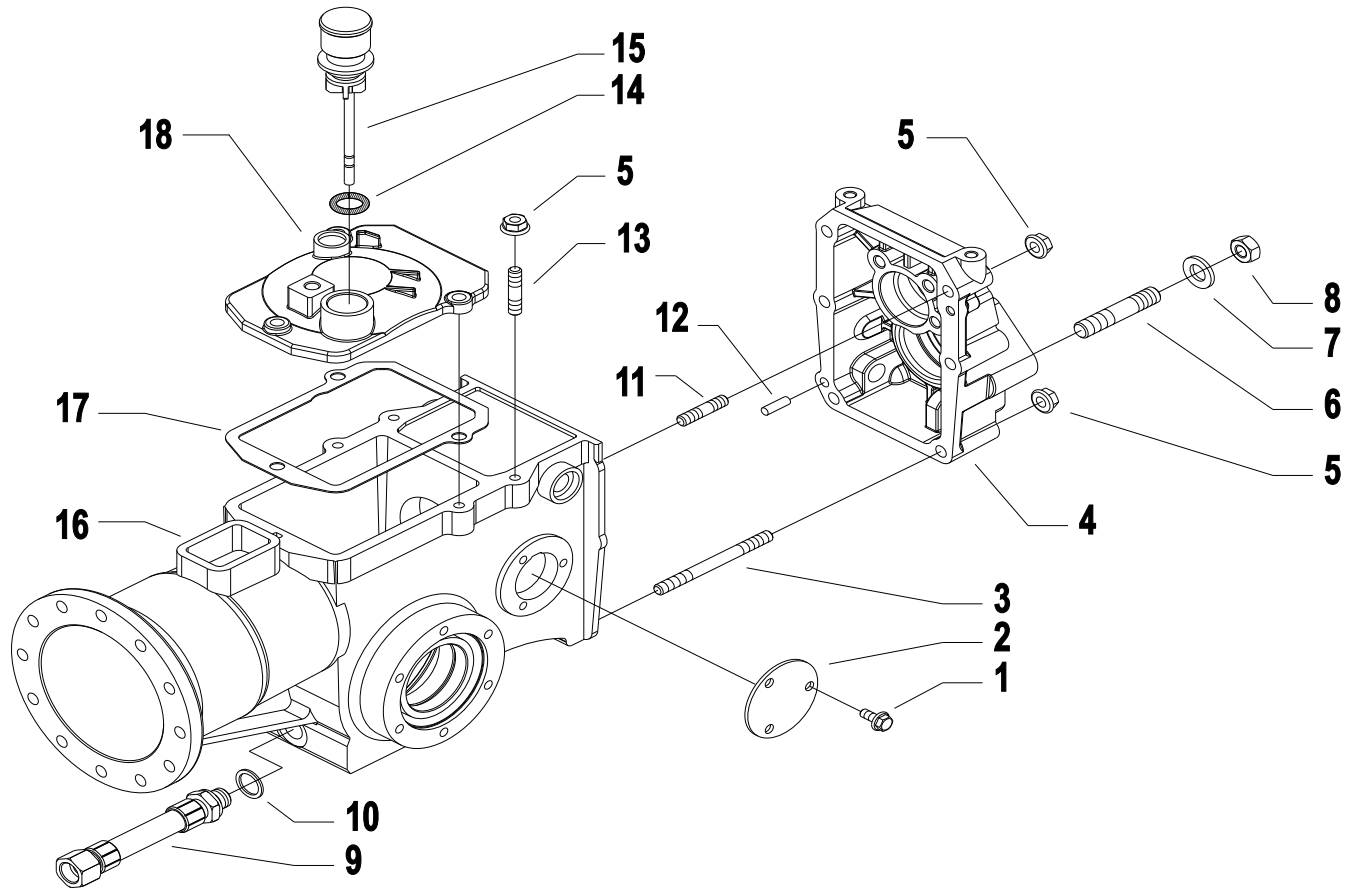
05/2011

Rev.

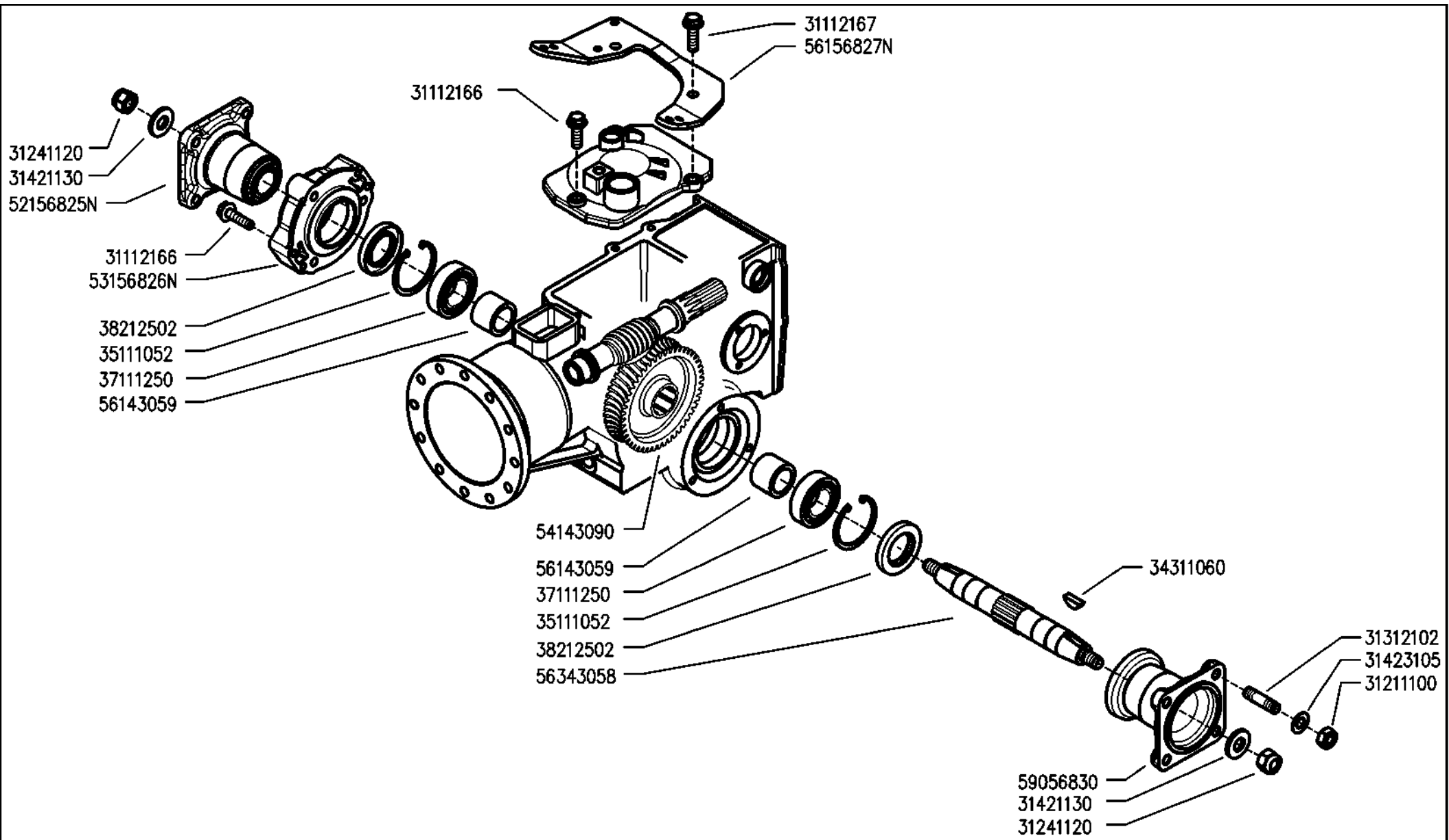
ZENNE

<b>Pos.</b>	<b>Code</b>	<b>Q.ty</b>	<b>Description</b>	<b>Notes</b>
30000277	30000277	1	SWITCH	
30000295	30000295	1	LAMP 12V-5W-W2,1X9,5D	
31100201	31100201	1	SCREW TTQ M6X12 UNI 5731	
31121558	31121558	0	SCREW TTQ M6X16 UNI 5731	
31241060	31241060	1	HEXAGON SELFLOCK NUT M6	
31411064	31411064	1	WASHER 6,4x12,5	





Pos.	Code	Q.ty	Description	Notes
1	31112083	1	SCREW M6X12	
2	56147520Z	1	COVER	
3	31312094	1	STUD BOLT M8X68X14X36	
4	53156332B	1	REAR COVER	
5	31241084	1	SELFLOCK NUT M8 6S	
6	31312125	1	STUD BOLT 64XM12X1,25X26XM12X30 8G	
7	31421132	1	WASHER 13X24X2,8	
8	31221121	1	NUT M12X1,25	
9	59056248	1	SUCTION SHORT HOSE	
10	31480184	1	COPPER WASHER 16,7x22/1,5	
11	31312086	1	STUD BOLT M8X56X20X14	
12	58043053	1	CYLINDRICAL PLUG	
13	31312082	1	STUD BOLT M8X38X14X20	
14	55102678	1	RUBBER RING	
15	59056672	1	OIL LEVEL CAP W/SHAFT	
16	53156203B	1	BOX CASING	
17	58043117	1	COVER GASKET	
18	53143128B	1	COVER	For models 710/720/728 PS Series
18	53143875B	1	GEARBOX HOUSING COVER	For models 730/738 PS Series



700 serie PS  
PowerSafe®

WHEELS AXLE  
EJE RUEDAS

ASSE RUOTE  
(710-720)

ESSIEUS ROUES  
RÄDACHSE

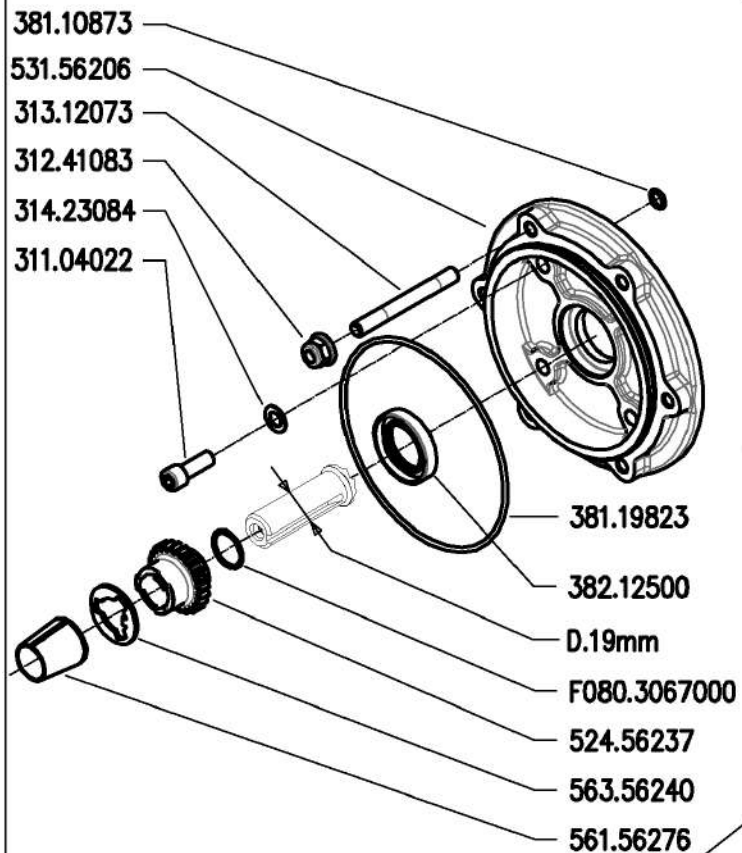
DALLA MACCHINA  
DE LA MAQUINA  
DE LA MAQUINA  
FROM THE MACHINE  
AB DER MASCHINE

N.


I01  
05/2009

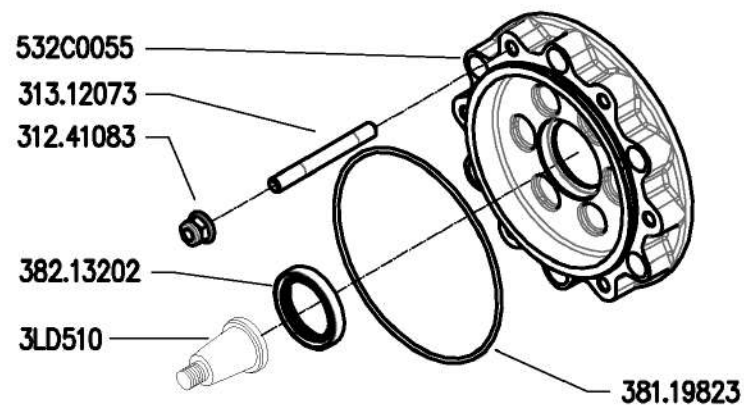
Rev.  
0

<b>Pos.</b>	<b>Code</b>	<b>Q.ty</b>	<b>Description</b>	<b>Notes</b>
31112166	31112166	1	SCREW TE C/F M8X25 DIN 6921 8G	
31112167	31112167	1	SCREW TE C/F M8X30 DIN 6921 8G	
31211100	31211100	1	NUT M10	

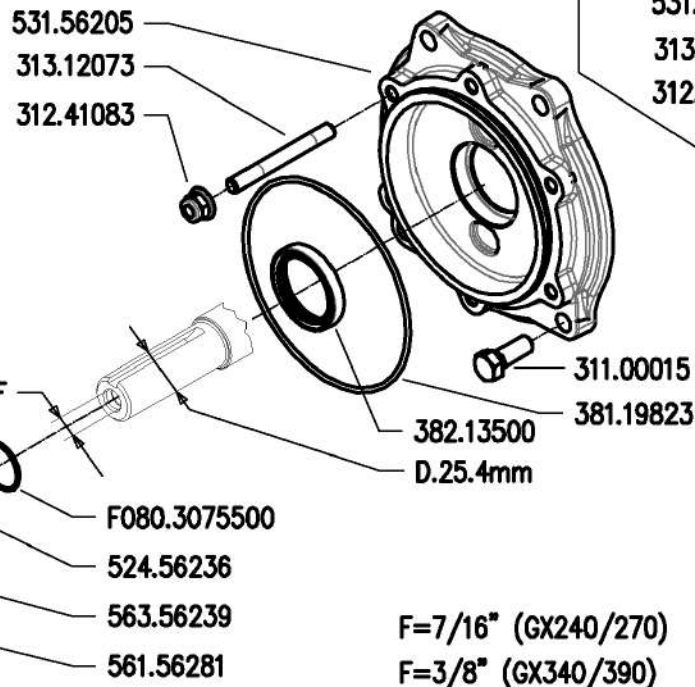


GX 160-200

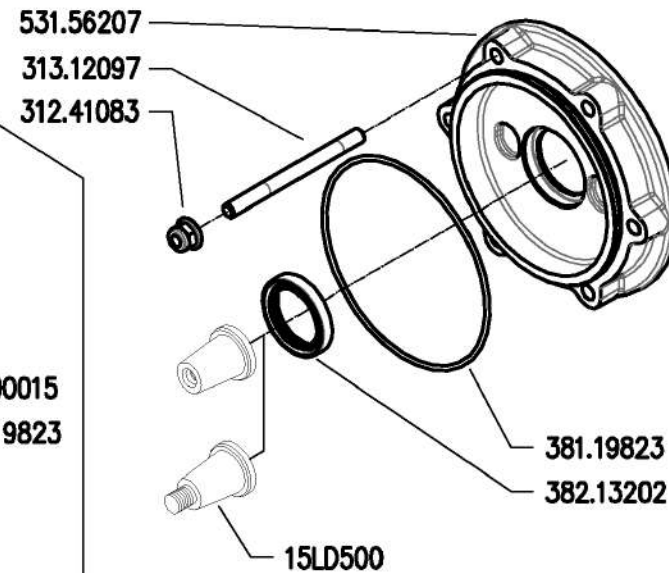
★ 3LD510



GX 240-270-340-390



F=7/16" (GX240/270)  
F=3/8" (GX340/390)



15LD350-440-500  
L70-100



700 serie PS  
PowerSafe®

ENGINE FLANGES  
BRIDAS MOTOR

FLANGIE MOTORE

BRIDES MOTEUR  
MOTOR FLANSCH

DALLA MACCHINA  
DE LA MAQUINA  
DE LA MACHINA  
FROM THE MACHINE  
AB DER MASCHINE

★ N.

AGGIORNAMENTO  
APLAZAMIENTO  
MISE A JOUR  
REVISION  
ANPASSUNG

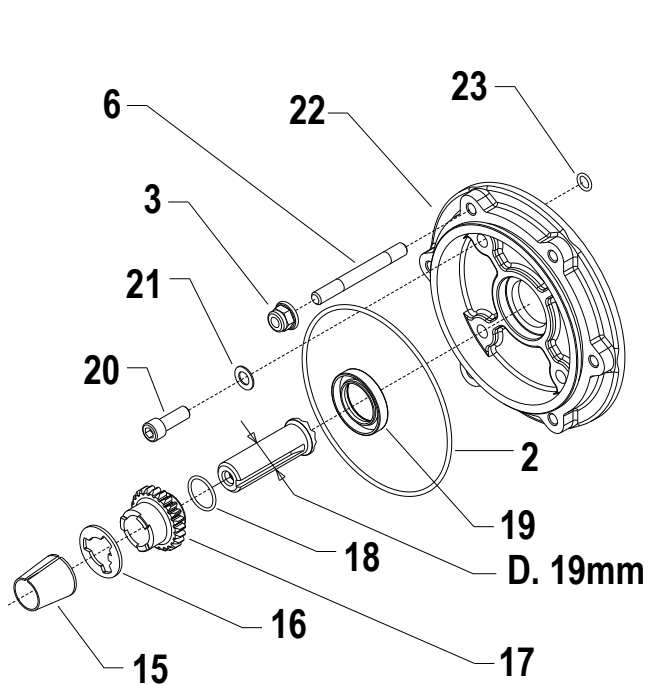
F01

11/2010

Rev.

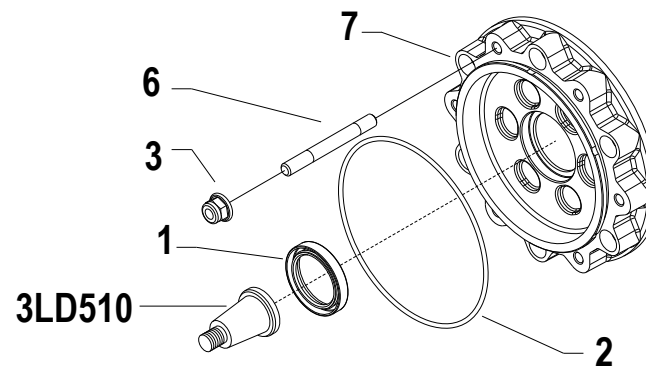
1

Pos.	Code	Q.ty	Description	Notes
31100015	31100015	1	SCREW TE 3/8X1	
31104022	31104022	1	SCREW TCEI 5/16X7/8 UNF 12K	
31241083	31241083	1	SELFLOCK NUT M8	
31312073	31312073	1	STUD BOLT M8X73X14X20 8G	
31312097	31312097	1	STUD BOLT M8X98X16X28 8G	
31423084	31423084	1	SPRING WASHER 8,4	
38110873	38110873	1	O-RING 108 (8,73X1,78)	
38119823	38119823	1	O-RING 3450 (113,97x2,62)	
38212500	38212500	1	OIL SEAL 25X40X7	
38213202	38213202	1	OIL SEAL 32X45X7	
38213500	38213500	1	OIL SEAL 35X47X7	
52456236	52456236	1	PUMP GEAR	
52456237	52456237	1	PUMP GEAR	
53156205	53156205	1	ENGINE FLANGE Q25	
53156206	53156206	1	ENGINE FLANGE Q19	
53156207	53156207	1	ENGINE FLANGE	
532C0055	532C0055	1	ACT ENGINE FLANGE	
56156276	56156276	1	SLEEVE D.19	
56156281	56156281	1	CENTRING BUSH D.25,4	
56356239	56356239	1	FEEDER Q25	
56356240	56356240	1	TRANSMISSION	
F0803067	F0803067000	1	O-RING 2075 (18,77X1,78)	
F0803075	F0803075500	1	O-RING 2100 (25,12X1,78)	

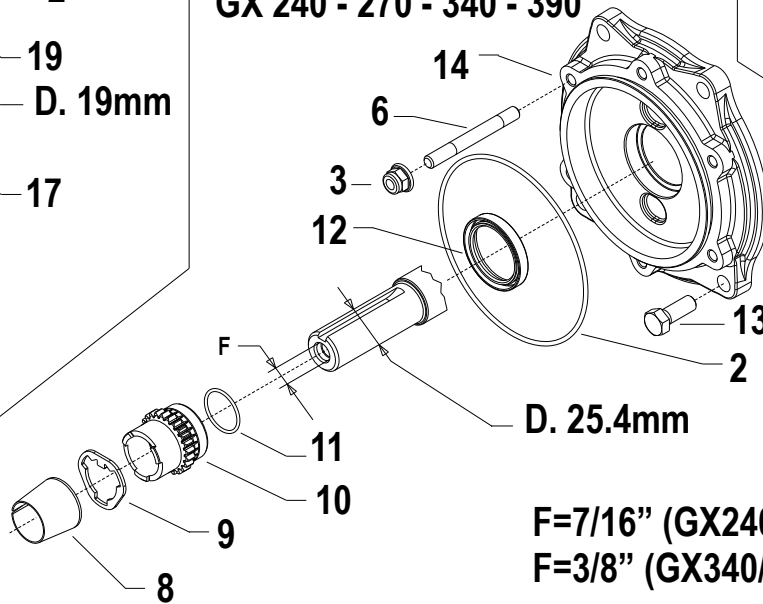


GX 160 - 200  
Ex21 - Gp160★

3LD510

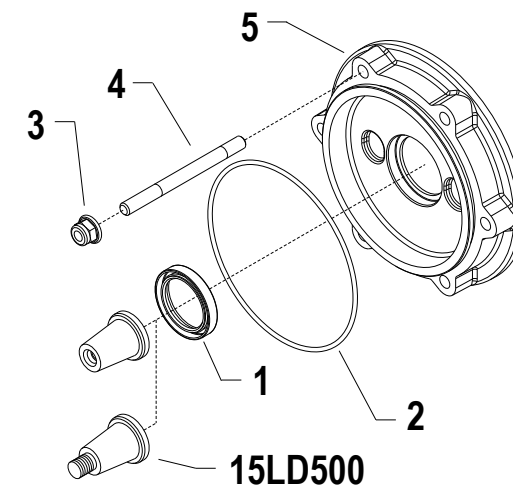


B&S 1450★ - B&S 2100★  
GX 240 - 270 - 340 - 390



D. 25.4mm

F=7/16" (GX240/270)  
F=3/8" (GX340/390)



15LD350 - 440 - 500  
Kd350★ - Kd440★  
L70 - L100



**i** = info - stop 2 sec. ★ = new part

Pos.	Code	Q.ty	Description	Notes
1	38213202		OIL SEAL 32X45X7	
2	38119823		O-RING 3450 (113,97x2,62)	
3	31241083		SELFLOCK NUT M8	
4	31312097		STUD BOLT M8X98X16X28 8G	
5	53156207		ENGINE FLANGE	
6	31312073		STUD BOLT M8X73X14X20 8G	
7	532C0055		ACT ENGINE FLANGE	
8	56156281		CENTRING BUSH D.25,4	
9	56356239		FEEDER Q25	
10	52456236		PUMP GEAR	
11	F0803075500		O-RING 2100 (25,12X1,78)	
12	38213500		OIL SEAL 35X47X7	
13	31100015		SCREW TE 3/8X1	
14	53156205		ENGINE FLANGE Q25	
15	56156276		SLEEVE D.19	
16	56356240		TRANSMISSION	
17	52456237		PUMP GEAR	
18	F0803067000		O-RING 2075 (18,77X1,78)	
19	38212500		OIL SEAL 25X40X7	
20	31104022		SCREW TCEI 5/16X7/8 UNF 12K	
21	31423084		SPRING WASHER 8,4	
22	53156206		ENGINE FLANGE Q19	
23	38110873		O-RING 108 (8,73X1,78)	



**PowerSafe** <sup>®</sup>

1

**EasyDrive** <sup>®</sup>

2



11

710

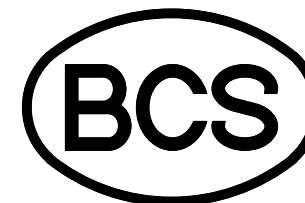
3

720

4

730

5



12

740

6

746

7

750

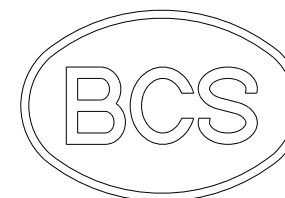
8

728

9

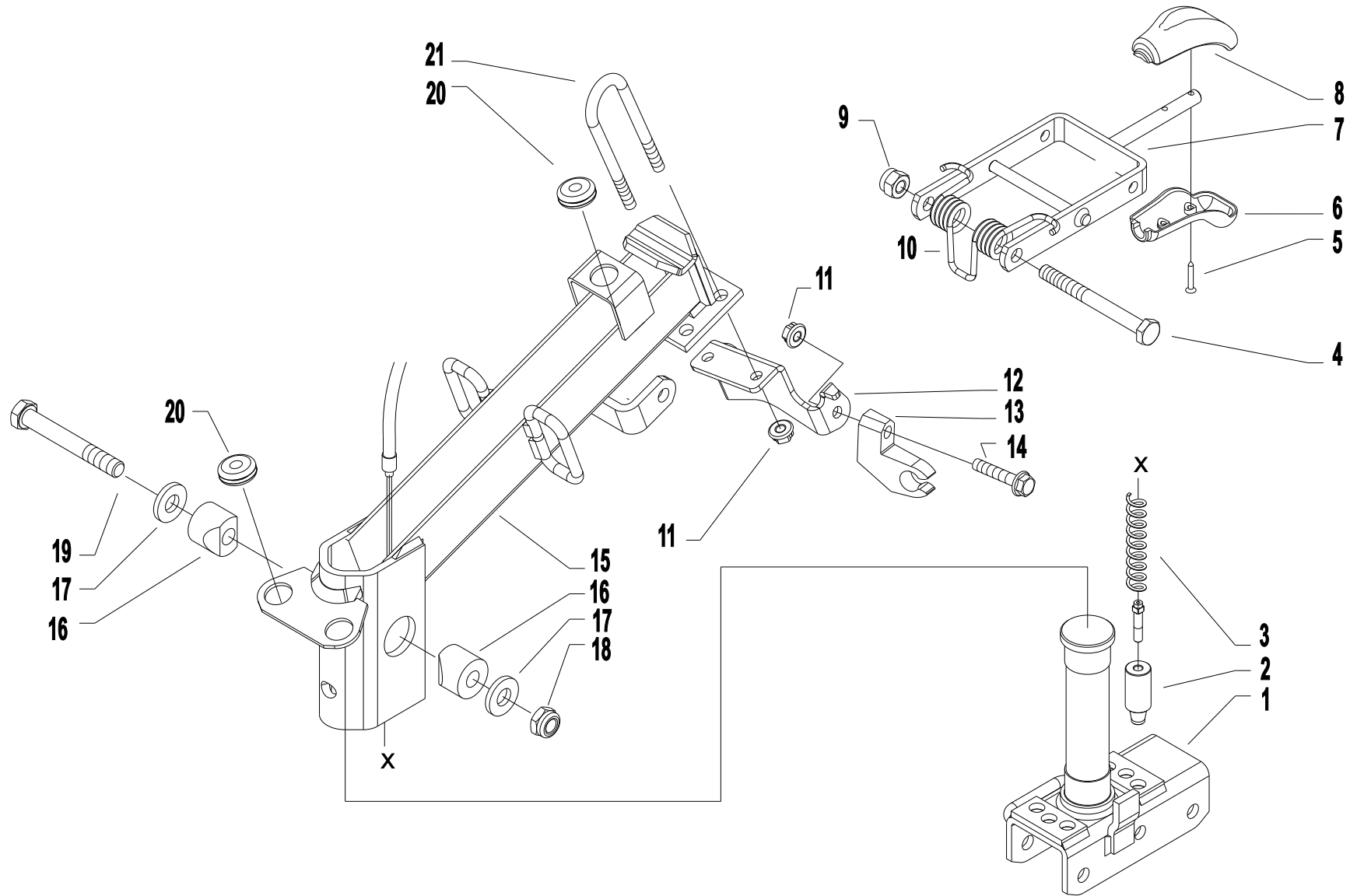
738

10

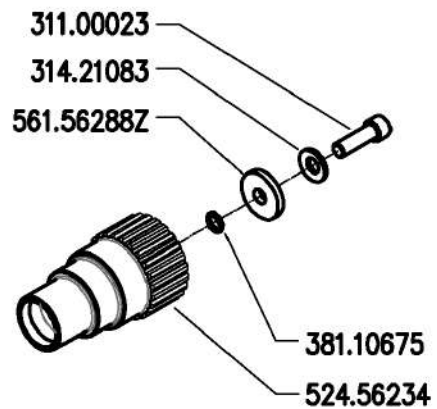


13

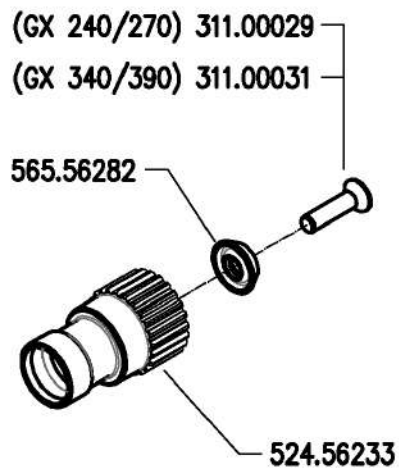
Pos.	Code	Q.ty	Description	Notes
1	53057666	1	POWERSAFE BRAND	
2	53057670	1	DECAL	
3	58058452	1	DECAL 710 /11	
4	58058453	1	DECAL 720/11	
5	58058454	1	DECAL 730 /11	
6	58058455	1	DECAL 740 /11	
7	58058456	1	DECAL 746 /11	
8	58058457	1	DECAL 750 /11	
9	58058485	1	DECAL 728 /11	
10	58058484	1	DECAL 738 /11	
11	53093088	1	OVAL LOGO	
12	53048656	1	OVAL LOGO	
13	53058450	1	SMALL OVAL LOGO	



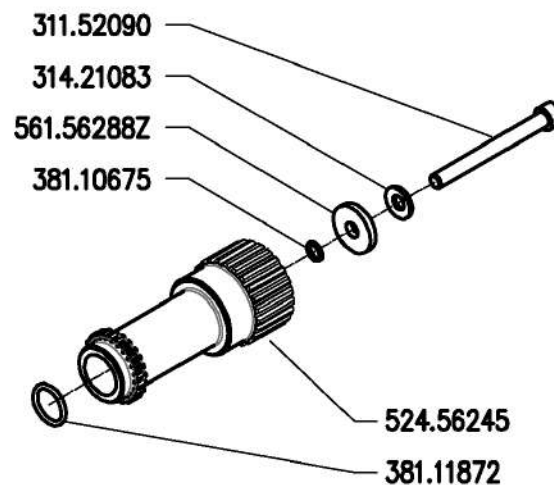
Pos.	Code	Q.ty	Description	Notes
1	59056793N	1	SUPPORT	
2	56356924	1	FERRULE	
3	58056918	1	SPRING	
4	31111229	1	SCREW TE M10X110 UNI 5737 8G	
5	31100451	1	SCREW 3,5X25	
6	55157213	1	GRIP	
7	59057010N	1	LEVER	
8	55157212	1	GRIP	
9	31241100	1	SELFLOCK HEXAGON NUT M10	
10	58056942N	1	SPRING	
11	31241084	1	SELFLOCK NUT M8 6S	
12	56156974N	1	SUPPORT	
13	55243340	1	SUPPORT	
14	31112165	1	SCREW TE C/F M8X35 DIN 6921 8G	
15	59056820N	1	COLUMN	
16	52156917	1	WEDGE	
17	31421100Z	1	CUP SPRING 25X12,2X1,5 D2093	
18	31241126	1	SELFLOCK NUT M12	
19	31112293	1	SCREW TE M12X80 UNI 5737	
20	58056991	1	CABLE GLAND 90/200/30	
21	56156940	1	U BOLT	



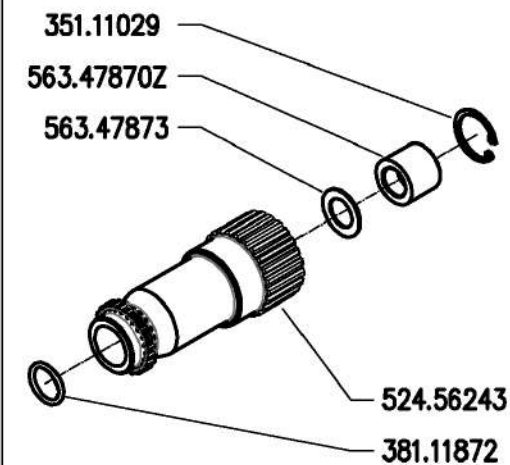
GX 160-200



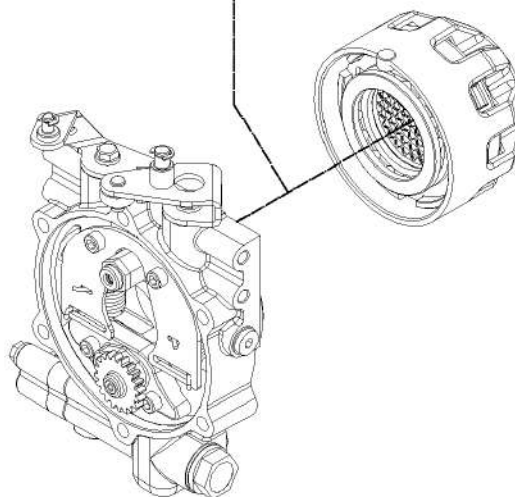
GX 240-270-340-390



15LD350-440 - L70-100



15LD500 - 3LD510 ★



700 serie PS  
PowerSafe®

### MOZZI FRIZIONE POWERSAFE

POWERSAFE CLUTCH HUBS  
CUBOS EMBRAGUE POWERSAFE

MOYEURS EMBRAYAGE POWERSAFE  
NABEN POWERSAFE KUPPLUNG

DALLA MACCHINA  
DE LA MAQUINA  
DE LA MACHINA  
FROM THE MACHINE  
AB DER MASCHINE



AGGIORNAMENTO  
APLAZAMIENTO  
MISE A JOUR  
REVISION  
ANPASSUNG

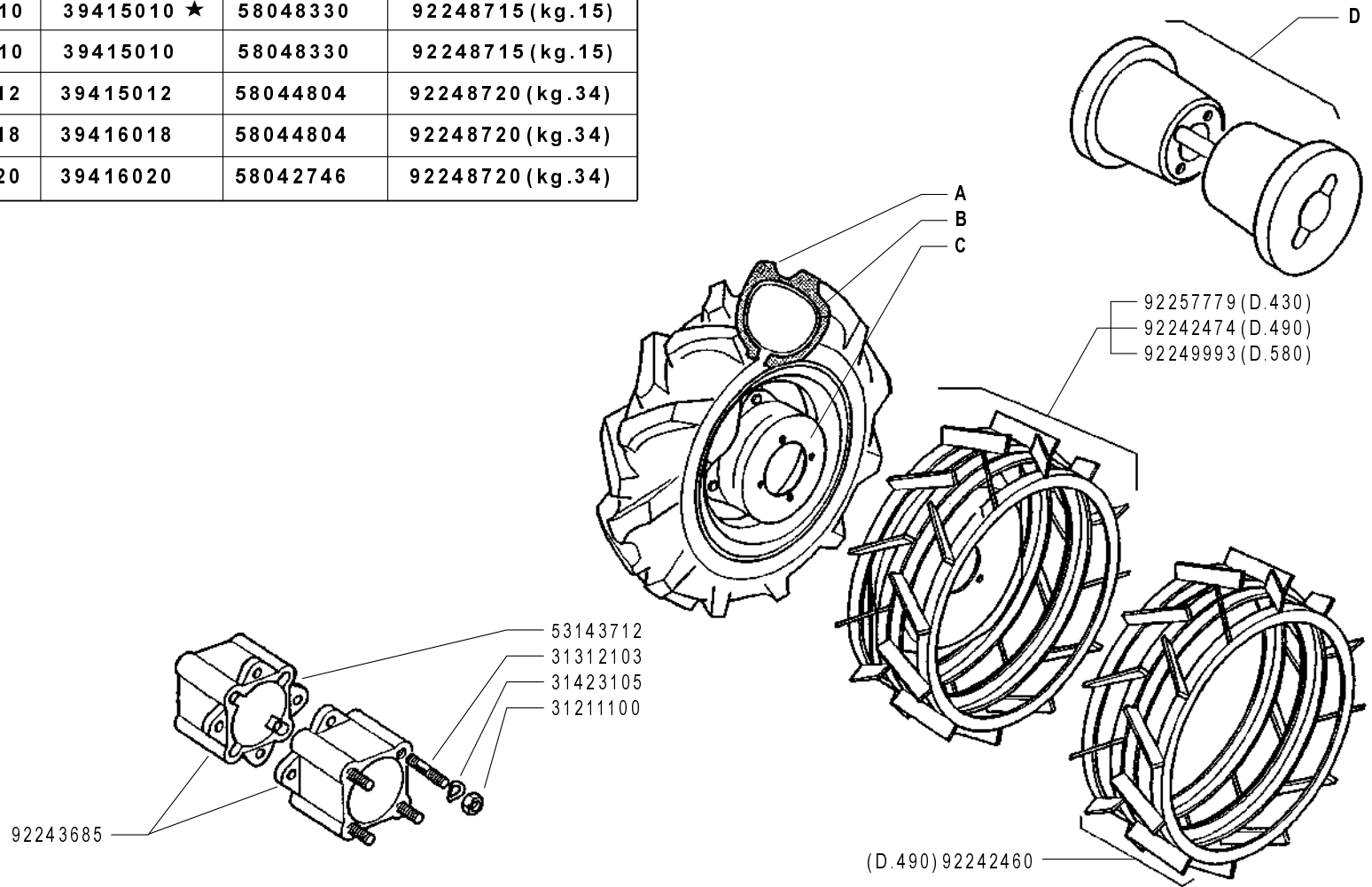
E01

11/2010

Rev. 1

Pos.	Code	Q.ty	Description	Notes
31100023	31100023	1	SCREW 5/16-24 X 1 UNF 8G	
31100029	31100029	1	SCREW TSVEI 7/16-20X1 1/2 UNF8G	
31100031	31100031	1	SCREW TSVEI 3/8-24X1 1/2 UNF 8G	
31152090	31152090	1	SCREW TCEI M8x80 UNI5931	
31421083	31421083	1	WASHER	
35111029	35111029	1	SEEGER RING I 28 UNI 7437	
38110675	38110675	1	O-RING 106 (6,75X1,78)	
38111872	38111872	1	O-RING 3075 (18,72x2,62)	
52456233	52456233	1	HUB Q25	
52456234	52456234	1	HUB Q19	
52456243	52456243	1	HUB	
52456245	52456245	1	HUB	
56347873	56347873	1	WASHER	
56556282	56556282	1	WASHER D.25,4	
56156288	56156288Z	1	SPECIAL WASHER SP.4	
56347870	56347870Z	1	SPECIAL NUT	

	A	B	C	D
4.00 - 8"	39114008	39414008	58043250	92243686 (kg.10)
4.0 - 10"	39114010	39415010 ★	58048330	92248715 (kg.15)
5.0 - 10"	39115010	39415010	58048330	92248715 (kg.15)
5.00 - 12"	39115012	39415012	58044804	92248720 (kg.34)
6.5/80 - 12"	39116018	39416018	58044804	92248720 (kg.34)
6.5/80 - 15"	39116020	39416020	58042746	92248720 (kg.34)



**700** serie **PS**  
PowerSafe®

WHEELS  
RUEDAS

**RUOTE**

ROUES  
RÄDER

DALLA MACCHINA  
FROM THE MACHINE  
DE LA MACHINE  
DE LA MAQUINA  
AB DER MASCHINE

★ N.

AGGIORNAMENTO

REVISION

MISE A JOUR

APLAZAMIENTO

ANPASSUNG

**P01** 1

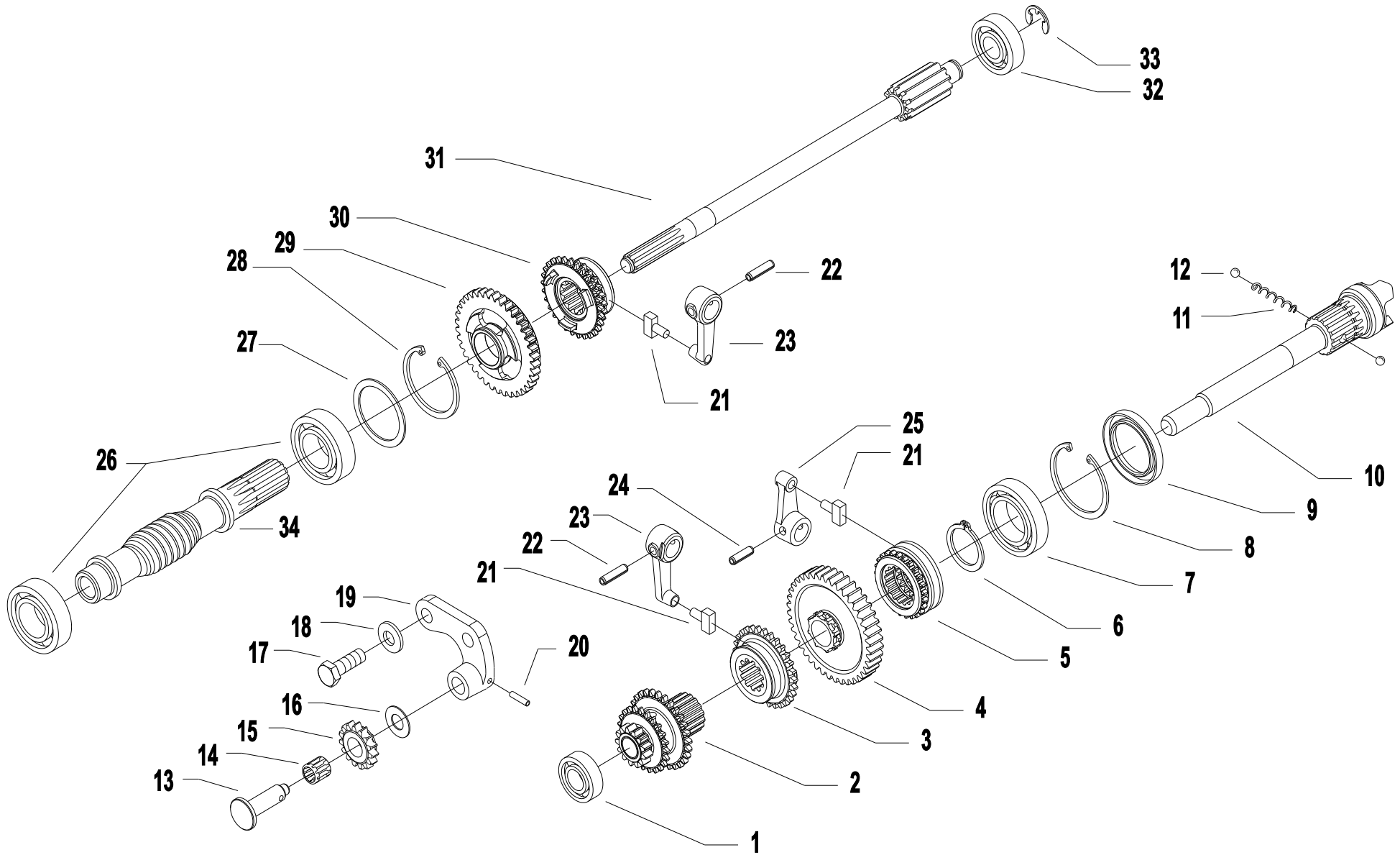
11/2010

Rev.

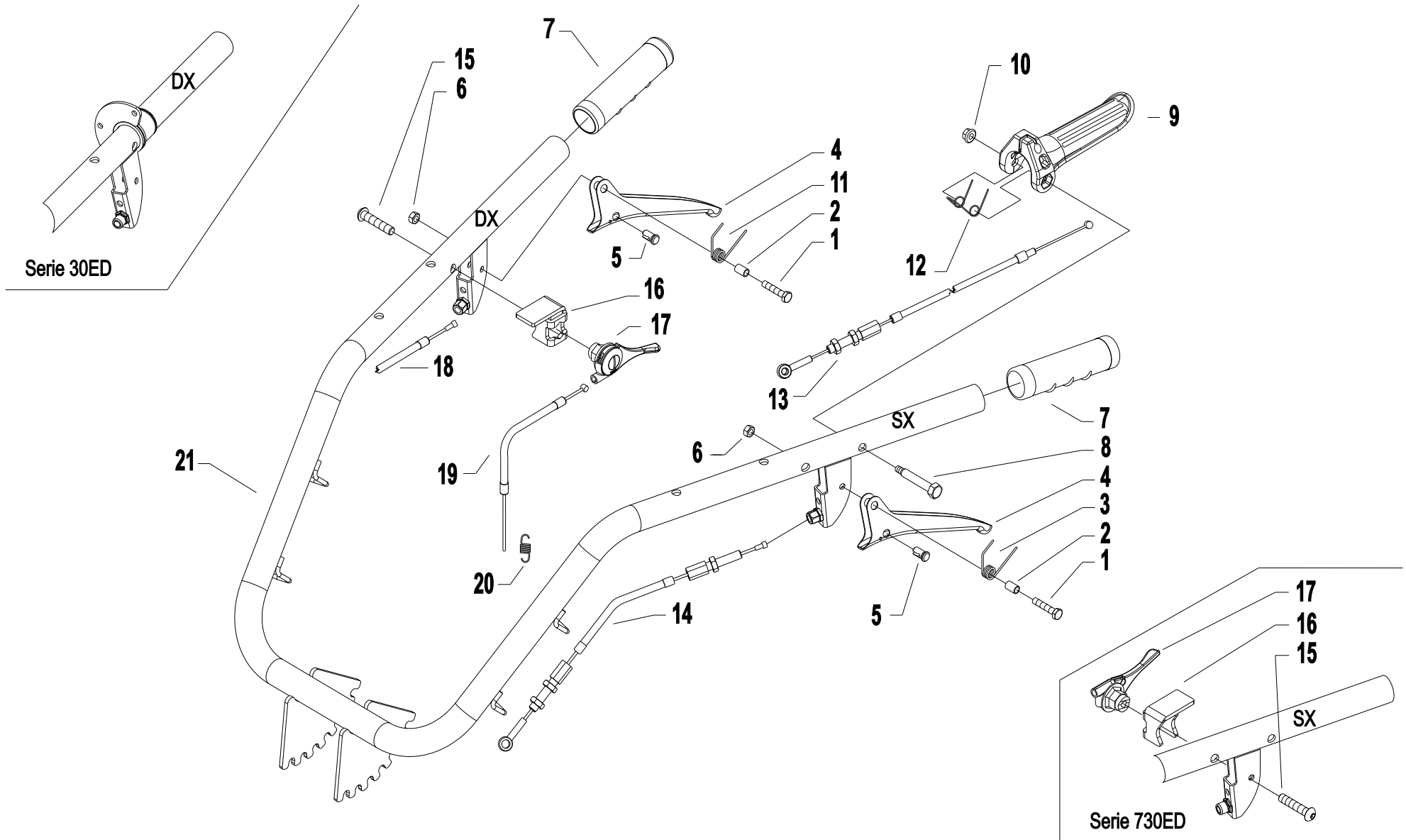
ZENNE

Pos.	Code	Q.ty	Description	Notes
31211100	31211100	1	NUT M10	





Pos.	Code	Q.ty	Description	Notes
17	31112211	1	SCREW TE M10X30 UNI 5739	



Pos.	Code	Q.ty	Description	Notes
1	31112089	1	SCREW TE M6X25 UNI 5739 8G	
2	56156603Z	1	SPACER	
3	58050345	1	SPRING	
4	56148470N	1	LEVER	
5	58150313	1	CABLE CLAMP	
6	31241060	1	HEXAGON SELFLOCK NUT M6	
7	58048000	1	KNOB D=27	
8	56356184Z	1	LEVER PIN	
9	55256185	1	LEVER	
10	31241065	1	SELFLOCK NUT M6	
11	58056593	1	SPRING	
12	58056186Z	1	SPRING	
13	58056191	1	LINE L=1560	
14	58056190	1	LINE L=1460	
15	31121020	1	SCREW TBCEI M8X40 ISO7380 10K Z	
16	56156874N	1	PANEL	
17	58002538	1	COMMAND LEVER	
18	58056193	1	COLUMN TRANSMISSION	
19	58056812	1	LINE AND SHEATH L=1680	Used with motors L70/L100/15LD350
19	58056815	1	LINE AND SHEATH L=1950	GX200-GX270-GX340-EX21
20	58056154	1	RESTORING SPRING	GX200
20	58056155	1	RESTORING SPRING	For the engine GX270
21	59256175	1	HANDLE BAR	
21	59256198	1	HANDLE BAR	For the 730 series EasyDrive Powersafe



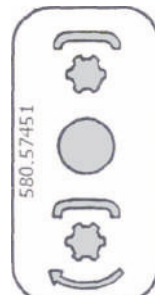
58056864



58056866



58057746



58057451



58057676



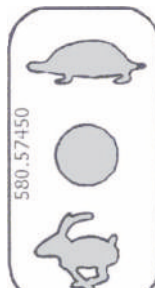
58057724



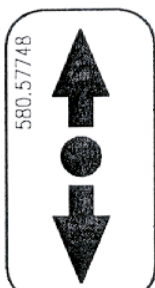
58056867



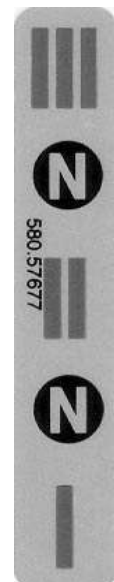
58056868



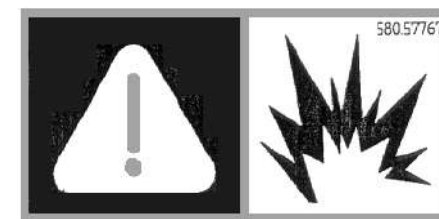
58057450



58057748



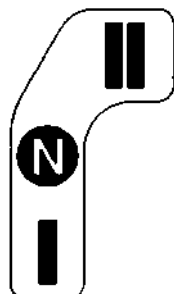
58057677



58057767



58056869

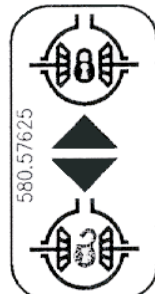


58057732



58057747

58057747



58057625



58093089



58057768



700 serie PS  
PowerSafe®

STICKERS  
ADHESIVOS

ADESIVE

AUTOCOLLANTS  
AUFKLEBES

DALLA MACCHINA  
FROM THE MACHINE  
DE LA MACHINE  
DE LA MAQUINA  
AB DER MASCHINE

N.

Rev. **R01** 0

05/2009

ZENNE

Pos.	Code	Q.ty	Description	Notes
58056864	58056864	1	DECAL	
58056866	58056866	1	DECAL	
58056867	58056867	1	DECAL	
58056868	58056868	1	DECAL	
58056869	58056869	1	DECAL	
58057450	58057450	1	DECAL	
58057451	58057451	1	DECAL	
58057625	58057625	1	DECAL	
58057676	58057676	1	DECAL	
58057677	58057677	1	DECAL	
58057724	58057724	1	DECAL	
58057732	58057732	1	DECAL	
58057746	58057746	1	DECAL	
58057747	58057747	1	DECAL	
58057748	58057748	1	DECAL	
58057767	58057767	1	DECAL	
58057768	58057768	1	DECAL	
58093089	58093089	1	DECAL	