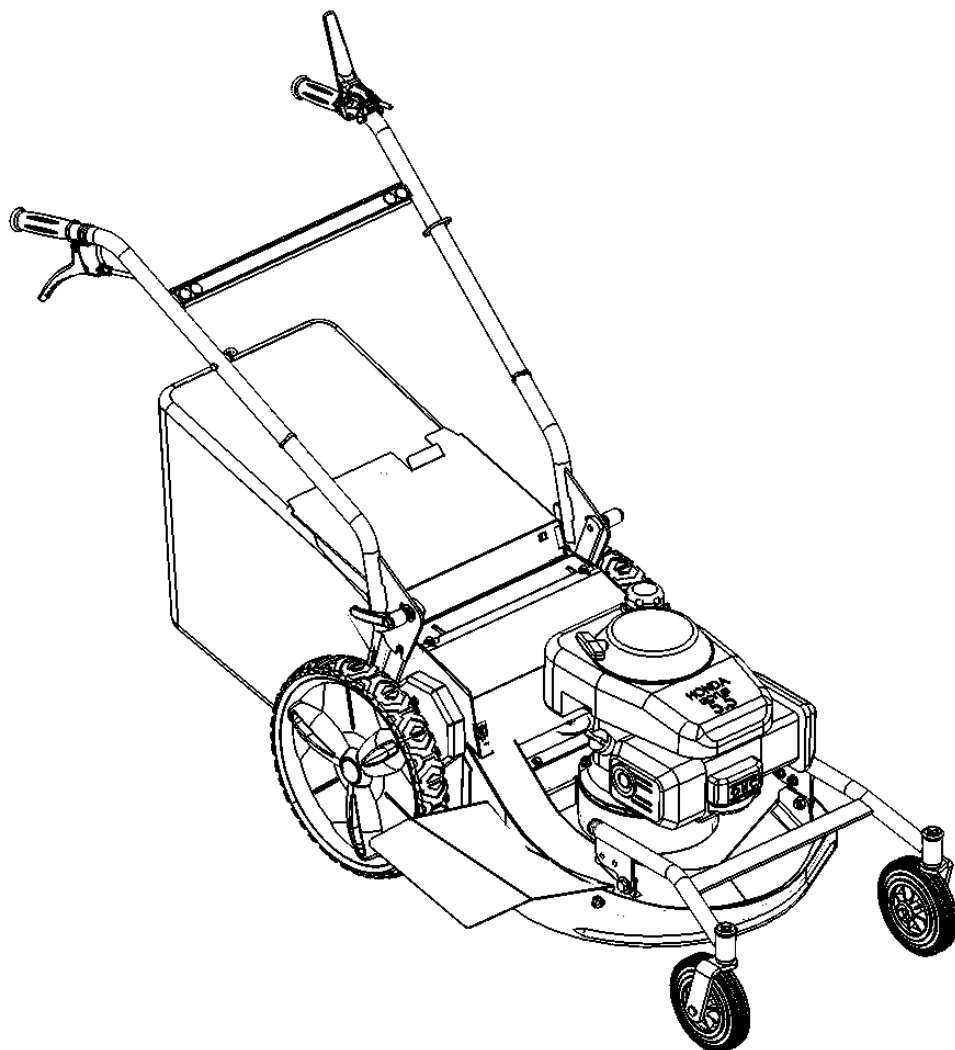


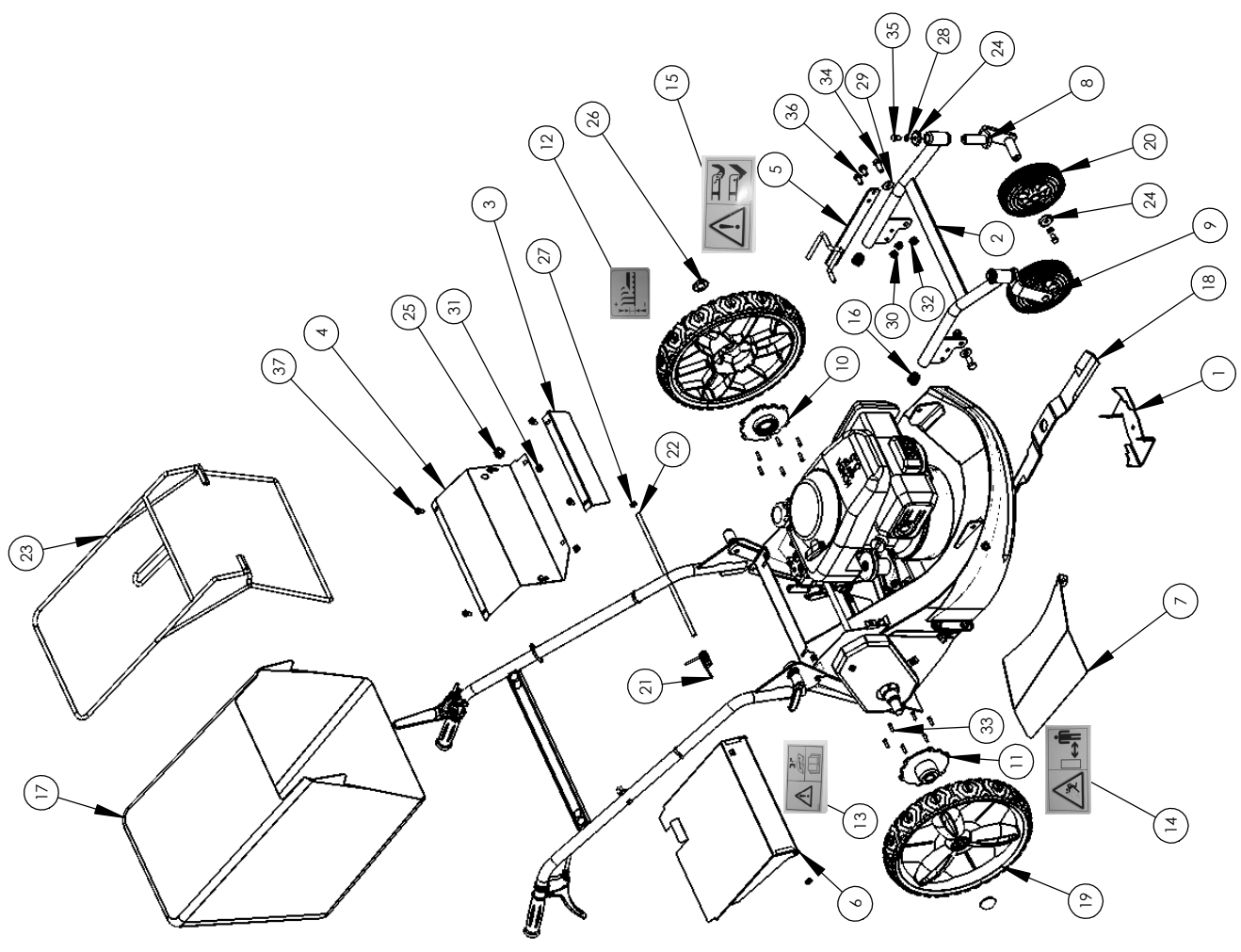
# Pièces de rechange Spare parts list

## **KC00\*\*03\*\***



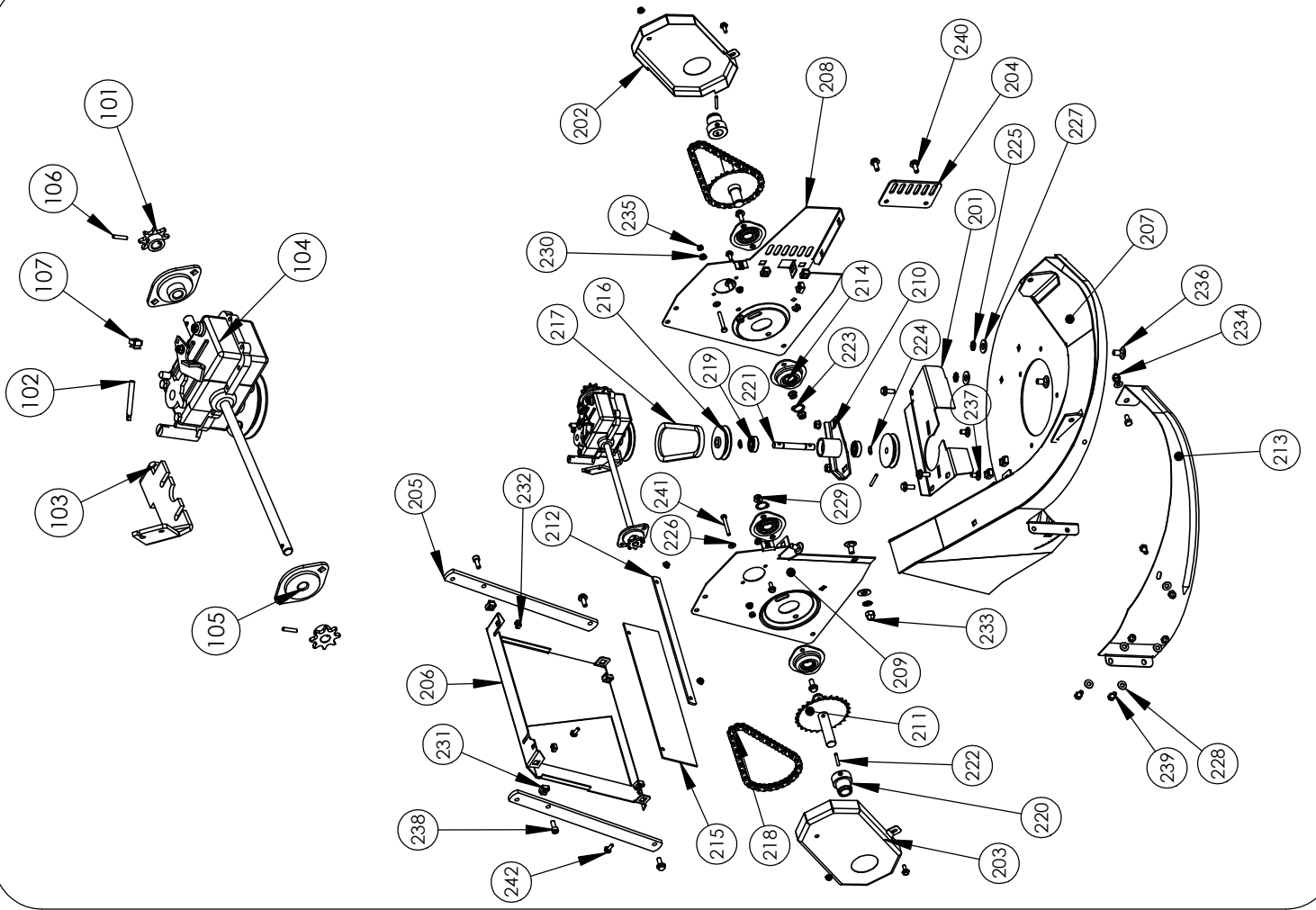
*FAUCHEUSE BROYEUSE  
BRUSH CUTTER*

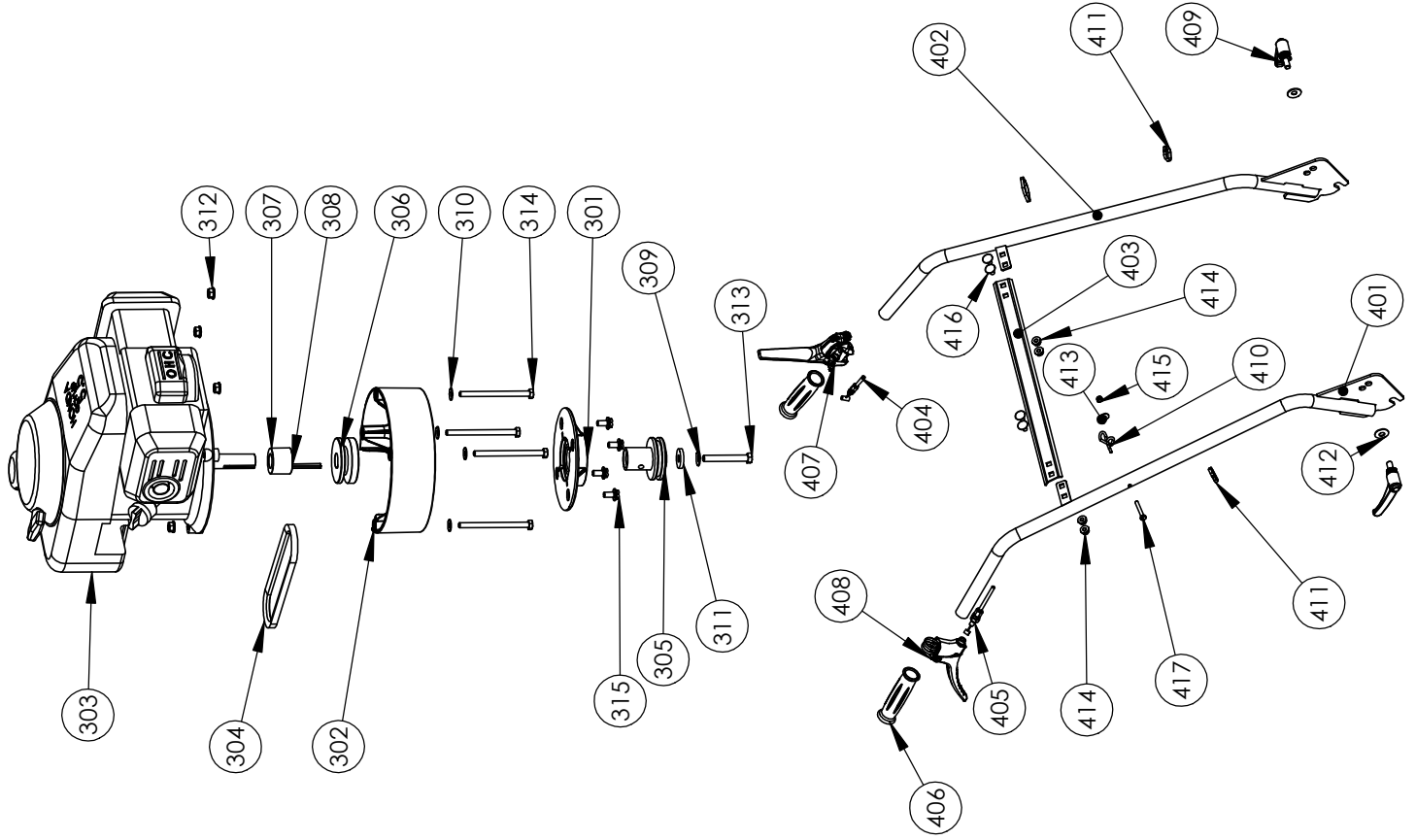
| Rep N° | Ref         | Désignation                             | Description                          | Qté |
|--------|-------------|---|--------------------------------------|-----|
| 1      | KC02031607  | TURBINE DE VENTILATION NOIR             | BLACK VENTILATING PLATE              | 1   |
| 2      | KC02031103  | TRAIN AVANT GRIS RAL7040                | GREY RAL7040 FRONT AXLE              | 1   |
| 2      | KC02031402  | TRAIN AVANT GRIS RAL8120                | GREY RAL8120 FRONT AXLE              | 1   |
| 3      | KC02030605  | TOLE ARRIERE PROTECTION RELAIS ROUGE    | RED DOWNSIDE HATCH                   | 1   |
| 3      | KC02032105  | TOLE ARR PROTECTION RELAIS VERT         | GREEN DOWNSIDE HATCH                 | 1   |
| 3      | KC02030805  | TOLE ARR PROTECTION RELAIS JAUNE        | YELLOW DOWNSIDE HATCH                | 1   |
| 4      | KC02030604  | CARTER SUPERIEUR ROUGE                  | RED UPSIDE HATCH                     | 1   |
| 4      | KC02030804  | CARTER SUP JAUNE                        | YELLOW UPSIDE HATCH                  | 1   |
| 4      | KC02032104  | CARTER SUP VERT                         | GREEN UPSIDE HATCH                   | 1   |
| 5      | KC02030205  | LEVIER DE SELECTION HAUTEUR ZN          | LIFT HANDLE                          | 1   |
| 6      | KC02011604  | VOLET ARRIERE NOIR                      | BACK SHUTTER                         | 1   |
| 7      | KC02011104  | ENDAINEUR GRIS RAL7040                  | GREY RAL7040 SIDE DEFLECTOR          | 1   |
| 7      | KC02031403  | ENDAINEUR GRIS RAL8120                  | GREY RAL8120 SIDE DEFLECTOR          | 1   |
| 8      | KC02010205  | CHAPE DE ROUE AVT GAUCHE ZN (diam.160)  | LEFT SUPPORT FRONT WHEEL             | 1   |
| 9      | KC02010204  | CHAPE DE ROUE AVANT DROIT ZN (diam.160) | RIGHT SUPPORT FRONT WHEEL            | 1   |
| 10     | KC01030009  | MOYEU DE ROUE GAUCHE ASS                | LEFT RATCHET WHEEL HUB               | 1   |
| 11     | KC01030007  | MOYEU DE ROUE DROITE ASS                | RIGHT RATCHET WHEEL HUB              | 1   |
| 12     | K503000023- | AUTOCOLLANT HAUTEUR DE COUPE            | STICKER "WORK LEVEL"                 | 1   |
| 13     | K503000015- | AUTOCOLLANT LIRE LA NOTICE              | STICKER "READ THE MANUAL BEFORE USE" | 1   |
| 14     | K503000003- | AUTOCOLLANT DISTANCE DE SECURITE        | STICKER "SECURITY DISTANCE"          | 1   |
| 15     | K503000002- | AUTOCOLLANT DANGER SECTIONNEMENT        | STICKER "CAUTION : CUTTING PARTS"    | 1   |
| 16     | K341000021  | BOUCHON TUBE DIAM 25                    | PLASTIC CAP                          | 2   |
| 17     | K320070002  | SAC PANIER                              | BAG                                  | 1   |
| 18     | K320020018  | LAME DE 500                             | BLADE 500cm                          | 1   |
| 19     | K309000028  | ROUE ARRIERE Ø 370                      | BACK WHEEL Ø370                      | 2   |
| 20     | K309000010  | ROUE Ø 160                              | FRONT WHEEL                          | 2   |
| 21     | K305010004  | RESSORT DE VOLET                        | SPRING FOR BACK SHUTTER              | 1   |
| 22     | K305000028  | AXE DE VOLET                            | AXLE FOR BACK SHUTTER                | 1   |
| 23     | K305000001  | ARMATURE PANIER                         | SKELETON                             | 1   |
| 24     | K302000001  | RONDELLE PROTECTION AXE ROUE AVANT      | PROTECT WASHER                       | 4   |
| 25     | K301000005  | PASSE FIL                               | WIRE PROTECT                         | 1   |
| 26     | K300702001  | ENJOLIVEUR Ø20                          | TRIM STOPPER                         | 2   |
| 27     | K300460801  | RONDELLE STARLOCK DIAM 8                | WASHER STARLOCK DIAM 8               | 2   |
| 28     | K300440801  | RONDELLE AZ 8                           | WASHER AZ 8                          | 4   |
| 29     | K300401002  | RONDELLE PLATE 27 x 10,25 x 2 ZN        | WASHER 27 x 10,25 x 2 ZN             | 2   |
| 30     | K300260801  | ECROU H M8 EMB CR                       | NUT H M8 NOTCHED SHOULDER            | 2   |
| 31     | K300230601  | ECROU RAPID M 6 C 48068                 | NUT RAPID M 6 C 48068                | 2   |
| 32     | K300211001  | ECROU FREIN M10                         | BLOCKING NUT M10                     | 2   |
| 33     | K300090403  | VIS WN 1451 K 40 x 20 TORX              | SCREW WN 1451 K 40 x 20 TORX         | 12  |
| 34     | K300011009  | VIS TH 10 x 25 ZN                       | SCREW TH 10 X 25 ZN                  | 2   |
| 35     | K300010814  | VIS H M8 x 16                           | SCREW H M8 X 16                      | 4   |
| 36     | K300010802  | VIS EMB CR 8 x 20                       | SCREW H NOTCHED SHOULDER 8 X 20      | 2   |
| 37     | K300010601  | VIS H 6 x 16 EMB CR                     | SCREW H NOTCHED SHOULDER 6 X 16      | 6   |



| Rep N° | Ref.       | Désignation                  | Description                | Qté |
|--------|------------|------------------------------|----------------------------|-----|
| 101    | KE04010011 | PIGNON 8 DENTS               | SPROCKET 8 TEETH           | 2   |
| 102    | KC04010022 | VIS BIELETTE EMBRAYAGE       | CLUTCH SCREW               | 1   |
| 103    | KC02030401 | SUPPORT BOITIER PLIE ZN NOIR | BASE FOR GEARBOX           | 1   |
| 104    | K306040007 | BOITIER REDUCTEUR            | GEARBOX                    | 1   |
| 105    | K306010010 | PALIER FLASQUE TOLE DIAM 12  | SELF-ALIGNING BEARING UNIT | 2   |
| 106    | K301090003 | GOUPILLE ROULEE 4 x 20       | ROLLED COILER 4 X 20       | 2   |
| 107    | K300230602 | ECROU RAPID M6 C 4806 C      | NUT RAPID M6 C 4806C       | 1   |

|     |            |                                       |                                   |    |
|-----|------------|---------------------------------------|-----------------------------------|----|
| 201 | KC02031608 | SUPPORT RELAIS NOIR                   | INTERMEDIARY BASE                 | 1  |
| 202 | KC02031605 | CARTER DE CHAINE GAUCHE NOIR          | CHAIN BONNET (LEFT SIDE)          | 1  |
| 203 | KC02031604 | CARTER DE CHAINE DROIT NOIR           | CHAIN BONNET (RIGHT SIDE)         | 1  |
| 204 | KC02031603 | SELECTEUR HAUTEUR NOIR                | WORK LEVEL SELECTION TOOL         | 1  |
| 205 | KC02031602 | PLAT DE SUPPORT MANCHERON NOIR        | HANDLEBAR BASE                    | 2  |
| 206 | KC02031601 | CARTER ARRIERE NOIR                   | BACK CARTER                       | 1  |
| 207 | KC02031401 | COUPOLE GRIS RAL8120                  | GREY RAL8120 BLADE GUARD          | 1  |
| 207 | KC02031101 | COUPOLE GRIS RAL7040                  | GREY RAL7040 BLADE GUARD          | 1  |
| 208 | KC02030602 | FLANC GAUCHE ROUGE                    | RED LEFT SIDE CARTER              | 1  |
| 208 | KC02032102 | FLANC GAUCHE ATHENA 08 VERT           | GREEN LEFT SIDE CARTER            | 1  |
| 208 | KC02030803 | FLANC GAUCHE JAUNE                    | YELLOW LEFT SIDE CARTER           | 1  |
| 209 | KC02030601 | FLANC DROIT ROUGE                     | RED RIGHT SIDE CARTER             | 1  |
| 209 | KC02032101 | FLANC DROIT ATHENA 08 VERT            | GREEN RIGHT SIDE CARTER           | 1  |
| 209 | KC02030802 | FLANC DROIT JAUNE                     | YELLOW RIGHT SIDE CARTER          | 1  |
| 210 | KC02030204 | PLATINE DE RELAIS ZN                  | INTERMEDIARY SUPPORT              | 1  |
| 211 | KC02030202 | ESSIEU ARRIERE ZN                     | AXLE                              | 2  |
| 212 | KC02030201 | BRIDE DE BAVETIE                      | BACK RUBBER SUPPORT               | 1  |
| 213 | KC02011107 | BANDEAU TONDEUSE GRIS RAL7040         | GREY RAL7040 FRONT DEFLECTOR      | 1  |
| 213 | KC02031404 | BANDEAU TONDEUSE GRIS RAL8120         | GREY RAL8120 FRONT DEFLECTOR      | 1  |
| 214 | KC01010001 | PALIER A VEC RLT. DE 20 ASSEMBLE      | SELF-ALIGNING BEARING UNIT        | 4  |
| 215 | K342000001 | BAVETTE ARRIERE                       | BACK RUBBER                       | 1  |
| 216 | K306040011 | POUIE DE 70 + GOUPILLE D5             | PULLEY D 70 + COILER-PIN D5       | 2  |
| 217 | K306030002 | COURROIE 10 X 6                       | V BELT 10 X 6                     | 1  |
| 218 | K306020013 | CHAINE 44 MAILLONS BS 12.7 S 5T DELTA | CHAIN 44 LINKS BS 12.7 S 5T DELTA | 2  |
| 219 | K306010018 | ROULEMENT 6201 2RS 12 x 32 x 10       | BEARING 6201 2RS 12 x 32 x 10     | 2  |
| 220 | K302010075 | AXE MOYEU DIFFERENTIEL                | HUB                               | 2  |
| 221 | K302010074 | AXE DE RELAIS                         | INTERMEDIARY AXLE                 | 1  |
| 222 | K301090007 | GOUPILLE 5 X 40 H8K                   | ROLLED COILER 5 X 40 H8K          | 2  |
| 223 | K301070006 | CIRCLIPS EXTERIEUR DE 20              | CIRCLIPS EXT 20                   | 2  |
| 224 | K301070002 | CIRCLIPS EXTERIEUR DE 12              | CIRCLIPS EXT 12                   | 2  |
| 225 | K300441001 | RONDELLE EVENTAIL AZ 10 ZN            | WASHER AZ 10 ZN                   | 4  |
| 226 | K300430601 | RONDELLE CONTACT M6                   | WASHER M6                         | 2  |
| 227 | K300401201 | RONDELLE PLATE 27 x 12.5 x 2.5        | WASHER 27 x 12.5 x 2.5            | 4  |
| 228 | K300400802 | RONDELLE PLATE 18 x 8 x 1.5           | WASHER 18 X 8 X 1.5               | 6  |
| 229 | K300260801 | ECROU H M8 EMB CR                     | NUT H M8 NOTCHED SHOULDER         | 7  |
| 230 | K300260601 | ECROU H M6 Z EMB CR                   | NUT H M6 Z NOTCHED SHOULDER       | 8  |
| 231 | K300230802 | ECROU " RAPID " DE 8 C 4808 B         | NUT RAPID M8 C 4808B              | 9  |
| 232 | K300230601 | ECROU RAPID M 6 C 4806B               | NUT RAPID M6 C 4806B              | 6  |
| 233 | K300221001 | ECROU BORGNE M10                      | NUT M10                           | 1  |
| 234 | K300220802 | ECROU BORGNE M8                       | NUT M8                            | 4  |
| 235 | K300200602 | ECROU HU M6                           | NUT HU M6                         | 2  |
| 236 | K300081002 | BOULON TRCC 10 x 20                   | SCREW TRCC 10 x 20                | 4  |
| 237 | K300080802 | BOULON TRCC 8 x 16                    | SCREW TRCC 8 x 16                 | 2  |
| 238 | K300020802 | VIS CHC 8 x 20                        | SCREW CHC 8 x 20                  | 2  |
| 239 | K300010814 | VIS H M8 x 16                         | SCREW H M8 X 16                   | 4  |
| 240 | K300010802 | VIS EMB CR 8 x 20                     | SCREW H NOTCHED SHOULDER 8 X 20   | 12 |
| 241 | K300010611 | VIS TH 6 x 45 7N ISO 4017             | SCREW TH 6 X 45 ZN                | 2  |
| 242 | K300010601 | VIS H 6 x 16 EMB CR                   | SCREW H NOTCHED SHOULDER 6 X 16   | 6  |





| Rep N° | Ref.        | Désignation                        | Description                     | Qté |
|--------|-------------|------------------------------------|---------------------------------|-----|
| 301    | K340000026  | PALIER COUPELLE                    | BLADE GUARD HUB                 | 1   |
| 302    | K340000025  | REHAUSSE MOTEUR                    | ENGINE RAISER                   | 1   |
| 303    | K330020106- | MOTEUR B&S DOV FREIN *             | ENGINE B&S DOV                  | 1   |
| 303    | K330020102- | MOTEUR B&S INTECK 60 FREIN *       | ENGINE B&S INTECK 60            | 1   |
| 303    | K330010102  | MOTEUR HONDA GCV 160 FREIN *       | ENGINE HONDA GCV 160            | 1   |
| 303    | K330030107- | MOTEUR SUBARU EA190V*              | SUBARU ENGINE EA190V            | 1   |
| 304    | K306030002  | COURROIE 10 X 6                    | V BELT 10 X 6                   | 1   |
| 305    | K302030082  | MOYEU DE LAME                      | BLADE HUB                       | 1   |
| 306    | K302030078  | POULIE MOTEUR                      | PULLEY FOR ENGINE               | 1   |
| 307    | K302020071  | ENTRETOISE 40 x 22.3 x 16.5        | ROUND SPACER 40 x 22.3 x 16.5   | 1   |
| 308    | K302020070  | ENTRETOISE 40 x 22.3 x 31          | ROUND SPACER 40 x 22.3 x 31     | 1   |
| 308    | K301040003  | CLAVETTE B.DROIT 4.76 x 4.76 x 4.5 | COTTER 4.76 x 4.76 x 4.5        | 1   |
| 309    | K300431001  | RONDELLE CONTACT M 10              | WASHER M10                      | 1   |
| 310    | K300430801  | RONDELLE CONTACT M8                | WASHER M8                       | 4   |
| 311    | K300401103  | RONDELLE PLATE 30 x 11 x 5 ZN      | WASHER 30 X 11 X 5 ZN           | 1   |
| 312    | K300260801  | ECROU H M8 EMB CR                  | NUT H M8 NOTCHED SHOULDER       | 4   |
| 313    | K300060301  | VIS 3/8 TH24 UNF LG 70 ZN          | SCREW 3/8 TH24 UNF LG 70 ZN     | 1   |
| 314    | K300010835  | VIS TH 8 x 100 ZN                  | SCREW TH 8 x 100 ZN             | 2   |
| 314    | K300010834  | VIS TH 8 x 130 ZN                  | SCREW TH 8 x 130 ZN             | 1   |
| 314    | K300010833  | VIS TH 8 x 110 ZN                  | SCREW TH 8 x 110 ZN             | 1   |
| 315    | K300010830  | VIS H 8 x 16 EMB CR                | SCREW H 8 x 16 NOTCHED SHOULDER | 4   |

\* Le service après-vente: s'adresser au réseau motoriste concerné  
 For the engine's spare parts, please contact the motor's retailers network

|     |            |                                    |                                      |   |
|-----|------------|------------------------------------|--------------------------------------|---|
| 401 | KC02031410 | BRAS DROIT MANCHERON GRIS RAL 8120 | GREY RAL8120 HANDLEBAR RIGHT PART    | 1 |
| 402 | KC02031409 | BRAS GAUCHE MANCHERON GRIS RAL8120 | GREY RAL8120 HANDLEBAR LEFT PART     | 1 |
| 403 | KC02031408 | TRAVERSE MANCHERON GRIS RAL8120    | GREY RAL8120 HANDLEBAR TIE           | 1 |
| 404 | K308020017 | CABLE HOMME MORT                   | ENGINE BRAKE CABLE                   | 1 |
| 405 | K308010010 | CABLE AVANCE                       | FORWARD CLUTCH CABLE                 | 1 |
| 406 | K307020005 | POIGNEE CAOUTCHOUC DIAM 25         | GRIP                                 | 2 |
| 407 | K307010016 | LEVIER FREIN DIAM 27               | ENGINE BRAKE LEVER                   | 1 |
| 408 | K307010013 | LEVIER SIMPLE COURSE DE 25         | LEVER                                | 1 |
| 409 | K307010006 | POIGNEE DEBRAYABLE M10             | HANDLE FOR HANDLEBAR LEVEL SELECTION | 2 |
| 410 | K305000022 | ACCROCHE LANCEUR                   | HOOK                                 | 1 |
| 411 | K301060002 | COLLIER PLASTIQUE NOIR             | BLACK COLLAR                         | 3 |
| 411 | K301060001 | COLLIER PLASTIQUE                  | COLLAR                               | 3 |
| 412 | K300431002 | RONDELLE CONTACT LARGE DE 10       | WASHER D 10                          | 2 |
| 413 | K300400601 | RONDELLE PLATE 18 x 6.25 x 1.2 ZN  | WASHER 18 X 6.25 X 1.2 ZN            | 1 |
| 414 | K300260801 | ECROU H M8 EMB CR                  | NUT H M8 NOTCHED SHOULDER            | 4 |
| 415 | K300210601 | ECROU FREIN H M6                   | BLOCKING NUT M6                      | 1 |
| 416 | K300080802 | BOULON TRCC 8 x 16                 | SCREW TRCC 8 x 16                    | 4 |
| 417 | K300010623 | VIS HM 6 x 40 ZN                   | SCREW HM 6 x 40                      | 1 |

SUBARU